

**BAYLINER<sup>®</sup>**

**245 Bowrider**

Owner's Manual *Supplement*

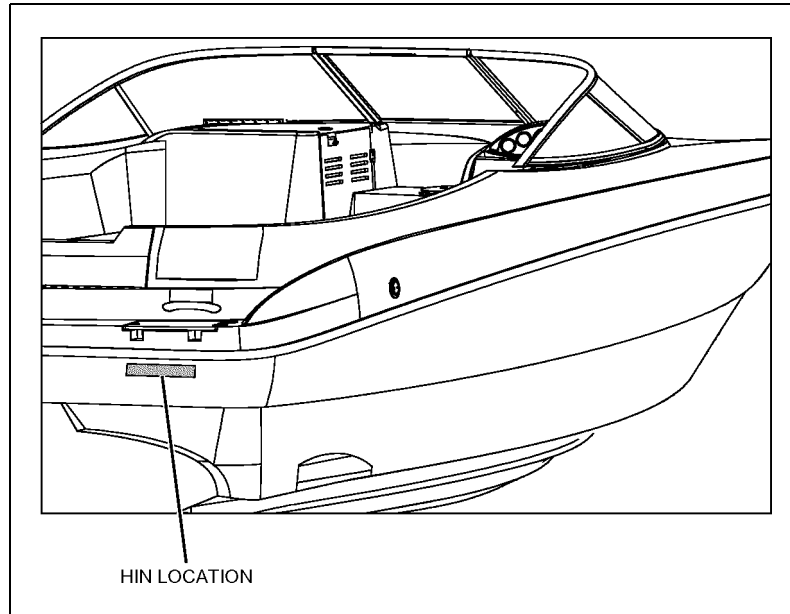


Engine Serial Number: \_\_\_\_\_

Hull Identification Number: \_\_\_\_\_

**Hull Identification Number**

- The Hull Identification Number (HIN) is located on the starboard hullside just forward of the transom.
- Record the HIN (and the engine serial numbers) in the space provided above.
- Include the HIN with any correspondence or orders.



**© 2007 Bayliner Technical Publications. All rights reserved.**

No part of this publication may be reproduced, stored in any retrieval system, or transmitted in any form by any means, electronic, mechanical, photocopying, recording or otherwise, without prior written permission of Bayliner.  
Printed in the United States of America.

**General Notes**

The material in this document is for information only and is subject to change without notice. While reasonable efforts have been made in the preparation of this document to assure its accuracy, Bayliner assumes no liability resulting from errors or omissions in this document, or from the use of information contained herein.

Due to our commitment to product improvement, Bayliner reserves the right to make changes in the product design, specifications, and equipment at any time without notice or obligation. Illustrations and/or photos may show optional equipment.

All Bayliner products meet or exceed USCG (United States Coast Guard) and/or NMMA (National Marine Manufacturer's Association) construction standards. Manufactured with 1,1,1 Trichloroethane, a substance which harms public health and environment during the manufacturing process by destroying ozone in the upper atmosphere.

**Proprietary Rights**

This document discloses subject matter in which Bayliner has proprietary rights. The information and design disclosed herein were originated by and are the property of Bayliner. Neither receipt nor possession thereof confers or transfers any right to reproduce, copy, alter or disclose the document or any part thereof, any information contained therein, or to construct boats or any item from it, except by written permission from or written agreement with Bayliner. This document is to be returned upon request to Bayliner.

245 Bowrider

# CONTENTS

---

## Chapter 1: Welcome Aboard!

- Dimensions & Tank Capacities 1
- Dealer Service 1
- Warranty Information 1
- Boating Experience 2
- Engine & Accessory Guidelines & Literature 3
  - Propeller* 3
- Structural Limitations 4
- Qualified Maintenance 4
- Special Care For Moored Boats 4
- Safety Standards 5
- Carbon Monoxide (CO) 6
  - CO Facts* 6
  - Factors that Increase the Effects of CO Poisoning* 6
  - Where & How CO Can Accumulate* 7
  - How to Protect Yourself & Others From CO* 7
  - CO Checklists* 8
  - More Information* 8
- Warnings & Warning Labels 9

## Chapter 2: Locations

- Exterior Views 11
  - Hull Views* 11
  - Deck Views* 12
  - Helm* 13
  - Component Locations* 14

## Chapter 3: Propulsion & Related Systems

- Engine 20
- Bilge Blower System 21
- Fuel System 22
  - Fuel Fill & Vent* 22
  - Fuel Filters* 22
  - Anti-siphon Valve* 23
- Quick Oil Drain System 24

## Chapter 4: Controls & Gauges

- Steering 25
- Shift/Throttle Controls 25
- Power Trim & Tilt 25
- Gauges 26
  - Cleaning the Gauges* 26
  - Gauge Fogging* 26
  - Radio Transmission Interference* 26
  - Fuel Gauge* 26
- Depth Finder 26

## Chapter 5: Plumbing

- Bilge Pump 27
  - Bilge Pump Testing* 28
  - Autofloat Switch* 29
- Freshwater System 30
  - Transom Shower* 30
  - Freshwater System Winterization* 31
- Drain Systems 32
  - Deck Drains* 32
- Portable Toilet 32

---

## **Chapter 6: Deck Equipment**

Cleats & Bow/Stern Eyes 33

Ski Tow Ring 33

Ski-Tow Tower (If Equipped) 34

*Attaching the Ski-Tow Rope* 34

*Folding Ski-Tow Tower* 35

*Tower Care* 35

Canvas 36

*Bimini Top (If Equipped)* 36

*Ski-Tow Tower Bimini Top (If Equipped)* 37

*Canvas Care* 38

## **Chapter 7: Entertainment System**

Audio Equipment 39

## **Chapter 8: Convertible Seats, Beds, & Tables**

Sunlounge Conversion 40

Passenger Seat Conversion 41

## **Chapter 9: Lights**

Care & Maintenance 42

Interior & Exterior Lights 42

Navigation Lights 42

Docking Lights (If Equipped) 42

## **Chapter 10: Electrical System**

*Battery* 44

*Fuses* 44

*12-Volt DC Accessory Outlet* 44

*Alternator* 44

Electrical Routings 45

*Deck Electrical Harness* 45

*Hull Electrical Harness* 46

*Battery System* 46

## **Important Records 47**


**Float Plan 48**

## Hazard Boxes & Symbols

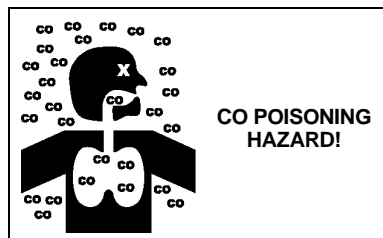
The hazard boxes and symbols shown below are used throughout this supplement to call attention to potentially dangerous situations which could lead to either personal injury or product damage. Read *all* warnings carefully and follow *all* safety instructions.

 **DANGER!**  
This box alerts you to immediate hazards which *WILL* cause severe personal injury or death if the warning is ignored.

 **WARNING!**  
This box alerts you to hazards or unsafe practices which *COULD* result in severe personal injury or death if the warning is ignored.

 **CAUTION**  
This box alerts you to hazards or unsafe practices which *COULD* result in minor personal injury or cause product or property damage if the warning is ignored.

**NOTICE**  
This box calls attention to installation, operation or maintenance information, which is important to proper operation but is not hazard related.



## Chapter 1: Welcome Aboard!

---

- This *Owner's Manual Supplement* provides specific information about your boat that is **not** covered in the *Sport Boat Owner's Manual*.
- The *Sport Boat Owner's Manual* contains general information about safe operating practices, general boating regulations, and general maintenance techniques. Information that is more specific to your particular boat is found in this *Owner's Manual Supplement*.
- **Before** using your boat, study this *Owner's Manual Supplement*, the *Sport Boat Owner's Manual*, and **all** engine and accessory literature carefully. If similar instructions are found in more than one manual, **always** refer to the specific manufacturer's manual (such as the engine manual) for the most complete and accurate information.
- Keep this *Owner's Manual Supplement* and the *Sport Boat Owner's Manual* on your boat in a secure, yet readily available place.

### Dimensions & Tank Capacities

Overall Length	Bridge Clearance	Beam	Draft (Drive Up)	Draft (Drive Down)	Fuel Capacity	Freshwater Capacity
24' 4"	7' 7"	8' 6"	1' 7"	3' 0"	78 Gallons	15 Gallons

### Dealer Service

- Your dealer is your key to service.
- Ask your dealer to explain **all** systems **before** taking delivery of your boat.
- Contact your dealer if you have any problems with your new boat.
- If your dealer cannot help, call our customer service hotline: 360-435-8957 or send us a FAX: 360-403-4235.
- Buy replacement parts from any authorized Bayliner dealer.
- You can access on-line parts catalogs, links to vendor websites, and other helpful features by logging on to <http://www.baylinerparts.com>.

### Warranty Information

- Bayliner offers a Limited Warranty on each new Bayliner purchased through an authorized Bayliner dealer.
- A copy of the Limited Warranty was included in your owner's packet.
- If you did not receive a copy of the Limited Warranty, please contact your Bayliner dealer or call 360-435-8957 for a copy.

## Boating Experience

 <b>WARNING!</b>
<b><i>CONTROL HAZARD!</i></b>
<b>A qualified operator <i>MUST</i> be in control of your boat at <i>ALL</i> times. Do <i>NOT</i> operate your boat while under the influence of alcohol or drugs.</b>

If this is your first boat or if you are changing to a type of boat you are *not* familiar with, for your own comfort and safety, get handling and operating experience *before* assuming command of your boat.

Take one of the boating safety classes offered by the U.S. Power Squadrons or the U.S. Coast Guard Auxiliary. For more course information, including dates and locations of upcoming classes, contact the organizations directly:

- U.S. Power Squadrons: 1-888-FOR-USPS (1-888-367-8777) or on the Internet at: <http://www.usps.org>
- In Canada, for the CPS courses call 1-888-CPS-BOAT.
- U.S. Coast Guard Auxiliary: 1-800-368-5647 or on the Internet at: <http://www.cgaux.org>

Outside the United States, your selling dealer, national sailing federation, or local boat club can advise you of local sea schools or competent instructors.



## Engine & Accessory Guidelines & Literature

**NOTICE**

***BEFORE*** starting or working on your engine(s), read the engine manual.

**NOTICE**

***BEFORE*** using the accessories on your boat, read the accessory manuals.

**NOTICE**

***BEFORE*** storing your boat, refer to your engine and accessory manuals for storage/winterization instructions.

**NOTICE**

**Certain modifications to your boat *WILL* result in cancellation of your warranty protection. *ALWAYS* check with your dealer *BEFORE* making any modifications to your boat.**


- Your boat's engine and accessories were selected to provide optimum performance and service.
- Installing a different engine or adding accessories may affect your boat's running trim.
- If you choose to install a different engine or add accessories that may affect your boat's running trim, have a trained marine technician perform a safety inspection and handling test *before* using your boat again.
- The engine and accessories on your boat have their own manuals. Read these manuals *before* using the engines and accessories.

Unless noted otherwise, *all* engine and accessory literature referred to in this *Owner's Manual Supplement* is included in your owner's packet.

While the topics listed below may be included in this *Owner's Manual Supplement* and in the *Sport Boat Owner's Manual*, *always* refer to the engine manual first for specific information on these important subjects:

- |                                |                                |
|--------------------------------|--------------------------------|
| • Engine Break-in Procedure    | • Fuel and Oil Recommendations |
| • Engine Starting and Stopping | • Engine Maintenance           |
| • Gear Shifting                | • Engine Storage/Winterization |

### Propeller

 **CAUTION**

***ENGINE DAMAGE HAZARD!***

The factory standard propeller may not be the best for your particular boat and load conditions. Refer to the engine manual for engine RPM ratings. The engine should reach, but not exceed its full rated RPM when full-throttle is applied.

**Immediately contact your local Bayliner dealer if:**


- The engine cannot reach its full rated RPM when full-throttle is applied, or;
- The engine exceeds its full rated RPM when full-throttle is applied.

- Keep the propeller in good repair and at the correct pitch for your particular situation.
- A slightly bent or nicked propeller will adversely affect the performance of your boat.

## Structural Limitations

The swim platform extension is designed to be lightweight for proper boat balance. The load limit for the swim platform extension is 30 pounds per square foot, evenly distributed.

## Qualified Maintenance

 <b>WARNING!</b>
<p>To maintain the integrity and safety of your boat, allow <i>ONLY</i> qualified personnel to perform maintenance on, or change, in any way, the:</p> <ul style="list-style-type: none"> <li>• Steering system</li> <li>• Propulsion system</li> <li>• Engine control system</li> <li>• Fuel system</li> <li>• Environmental control system</li> <li>• Electrical system</li> <li>• Navigational system</li> </ul>

- Failure to maintain your boat's systems (listed in the warning above) as designed could violate the laws in your jurisdiction and could expose you and other people to the danger of bodily injury or accidental death.
- Follow the instructions provided in the *Sport Boat Owner's Manual*, this *supplement*, the engine owner's manual and *all* accessory literature.

## Special Care For Moored Boats


<b>NOTICE</b>
<ul style="list-style-type: none"> <li>• To help seal the hull bottom and reduce the chance of gel coat blistering while your boat is moored, apply an epoxy barrier coating.</li> <li>• The barrier coating should be covered with several coats of anti-fouling paint.</li> <li>• Many states regulate the chemical content of bottom paints in order to meet environmental standards. Check with your local dealer about recommended bottom paints, and about the laws in effect in your area.</li> </ul>

- Whether moored in saltwater or freshwater, your boat will collect marine growth on its hull bottom.
- This will detract from your boat's beauty, greatly affect its performance, and may damage the gel coat.
- Periodically haul your boat out of the water and scrub the hull bottom with a bristle brush and a solution of soap and water.

## Safety Standards

**⚠ DANGER!**


**FALLING and ROTATING PROPELLER HAZARD!**



- **NEVER** allow anyone to ride on parts of your boat **NOT** designed for such use.
- **Sitting on seat backs, lounging on the forward deck, bow riding, gun-wale riding or occupying the transom platform while underway is especially hazardous and WILL cause personal injury or death.**

**⚠ DANGER!**

**FALLING, ROTATING PROPELLER and CARBON MONOXIDE POISONING HAZARD!**



- **NEVER** allow anyone to occupy, or hang from, the back deck or swim platform while the engine is running.
- **Teak surfing, dragging, or water skiing within 20 feet of a moving watercraft can be fatal.**

**⚠ DANGER!**

**PERSONAL SAFETY HAZARD!**

- **ALWAYS** secure the anchor and other loose objects **BEFORE** getting underway.
- **The anchor and other items that are NOT properly secured can come loose when your boat is moving and cause personal injury or death.**

**⚠ WARNING!**

**A wide variety of components used on this vessel contain or emit chemicals known to the State of California to cause cancer and birth defects and other reproductive harm.**

**Examples Include:**

- **Engine and generator exhaust**
- **Engine and generator fuel, and other liquids such as coolants and oil, especially used motor oil**
- **Cooking fuels**
- **Cleaners, paints, and substances used for vessel repair**
- **Waste materials that result from wear of vessel components**
- **Lead from battery terminals and from other sources such as ballast or fishing sinkers**


**To Avoid Harm:**

- **Keep away from engine, generator, and cooking fuel exhaust fumes.**
- **Wash exposed skin thoroughly with soap and water after handling the substances above.**

- Your boat's mechanical and electrical systems were designed to meet safety standards in effect at the time it was built.
- Some of these standards were mandated by law, and all of them were designed to insure your safety and the safety of other people, vessels and property.

Read this *supplement*, the *Sport Boat Owner's Manual*, and **all** accessory instructions for important safety standards and hazard information.

## Carbon Monoxide (CO)

<b>⚠ DANGER!</b>	
	<ul style="list-style-type: none"> <li>• Carbon monoxide gas (CO) is colorless, odorless, tasteless, and extremely dangerous.</li> <li>• <i>ALL</i> engines, generators, and fuel burning appliances produce CO as exhaust.</li> <li>• Prolonged exposure to low concentrations or very quick exposure to high concentrations <i>WILL</i> cause <i>BRAIN DAMAGE</i> or <i>DEATH</i>.</li> <li>• Teak surfing, dragging, or water skiing within 20 feet of a moving watercraft can be fatal.</li> </ul>

### **CO Facts**

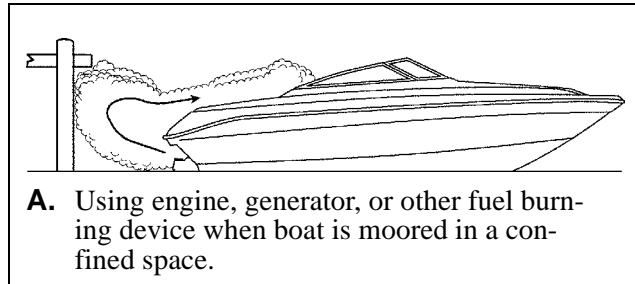
- CO poisoning causes a significant number of boating deaths each year.
- Called the "silent killer", CO is an extremely toxic, colorless, odorless and tasteless gas.
- CO can harm or even kill you inside or outside your boat.
- CO can affect you whether you're underway, moored, or anchored.
- CO symptoms are similar to seasickness or alcohol intoxication.
- CO can make you sick in seconds. In high enough concentrations, even a few breaths can be fatal.
- Breathing CO blocks the ability of your blood to carry oxygen.
- The effects are cumulative. Even low levels of exposure can result in injury or death.

### **Factors that Increase the Effects of CO Poisoning**

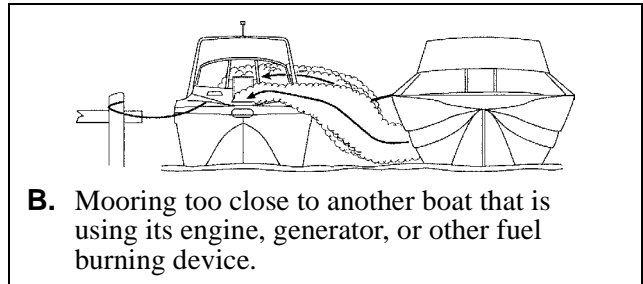
- Age
- Smokers or people exposed to high concentrations of cigarette smoke
- Consumption of alcohol
- Lung disorders
- Heart problems
- Pregnancy

## Where & How CO Can Accumulate

### Stationary conditions that increase CO accumulations include:



**A.** Using engine, generator, or other fuel burning device when boat is moored in a confined space.

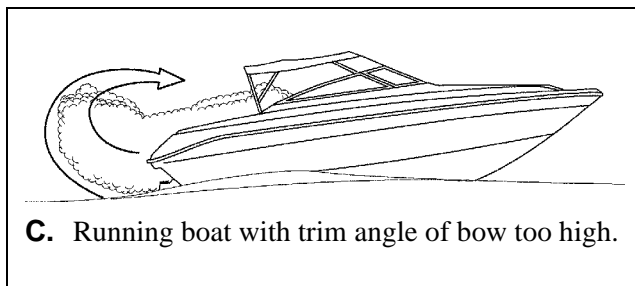


**B.** Mooring too close to another boat that is using its engine, generator, or other fuel burning device.

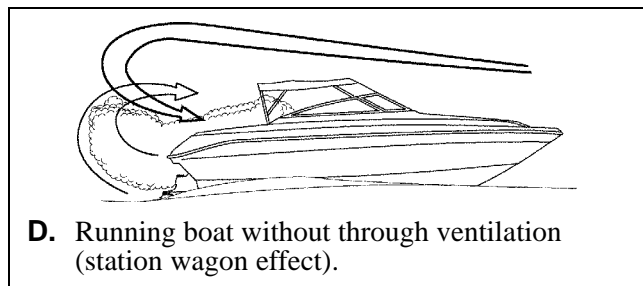
### To correct stationary situations A and/or B:

- **Close all** windows, portlights and hatches.
- If possible, move your boat away from source of CO.

### Running conditions that increase CO accumulations include:



**C.** Running boat with trim angle of bow too high.



**D.** Running boat without through ventilation (station wagon effect).

### To correct running situations C and/or D:

- Trim bow down.
- **Open** windows and canvas.
- When possible, run boat so that prevailing winds help dissipate exhaust.

## How to Protect Yourself & Others From CO

- Know where and how CO may accumulate in and around your boat (see above).
- **Always** maintain fresh air circulation throughout your boat.
- Know where your engine exhaust outlets are located and keep everyone away from these areas.
- **Never** sit on, or hang onto, the back deck or swim platform while the engine is running.
- **Never** enter the areas under swim platforms where exhaust outlets are located.
- Although CO can be present without the smell of exhaust fumes, if exhaust fumes are detected on your boat, take **immediate** action to dissipate these fumes.
- Treat symptoms of seasickness as possible CO poisoning. Get the person into fresh air **immediately**. Seek medical attention—unless you're sure it's **not** CO.
- Install and maintain CO monitors inside your boat. **Never** ignore any alarm. Replace monitors as recommended by the monitor manufacturer.
- Follow the checklists provided on the next page.
- Get a Vessel Safety Check.

For information on how to get a free VESSEL SAFETY CHECK, visit [www.vesselsafetycheck.org](http://www.vesselsafetycheck.org) or contact your local U.S. Coast Guard Auxiliary or United States Power Squadrons®.

- U.S. Coast Guard Auxiliary: 1-800-368-5647 or on the Internet at: <http://www.cgaux.org>
- U.S. Power Squadrons: 1-888-FOR-USPS (1-888-367-8777) or on the Internet at: <http://www.usps.org>

## CO Checklists

### Trip Checklist

- Make sure you know where the exhaust outlets are located on your boat.
- Educate *all* passengers about the symptoms of CO poisoning and where CO may accumulate.
- When docked, or rafted with another boat, be aware of exhaust emissions from the other boat.
- Listen for any change in exhaust sound, which could mean an exhaust component failure.
- Test the operation of each CO monitor by pressing the test button.

### Monthly Checklist

- Make sure *all* exhaust clamps are in place and secure.
- Look for exhaust leaking from exhaust system components. Signs include rust and/or black streaking, water leaks, or corroded or cracked fittings.
- Inspect rubber exhaust hoses for burned, cracked, or deteriorated sections. *All* rubber hoses should be pliable and free of kinks.

### Annual Checklist

#### *Have a Qualified Marine Technician:*

- Replace exhaust hoses if cracking, charring, or deterioration is found.
- Ensure that your engine is properly tuned, and well maintained.
- Inspect each water pump impeller and the water pump housing. Replace if worn. Make sure cooling systems are in working condition.
- Inspect *all* metallic exhaust components for cracking, rusting, leaking, or loosening. Make sure they check the cylinder head gasket, exhaust manifold, water injection elbow, and the threaded adapter nipple between the manifold and the elbow.

### More Information

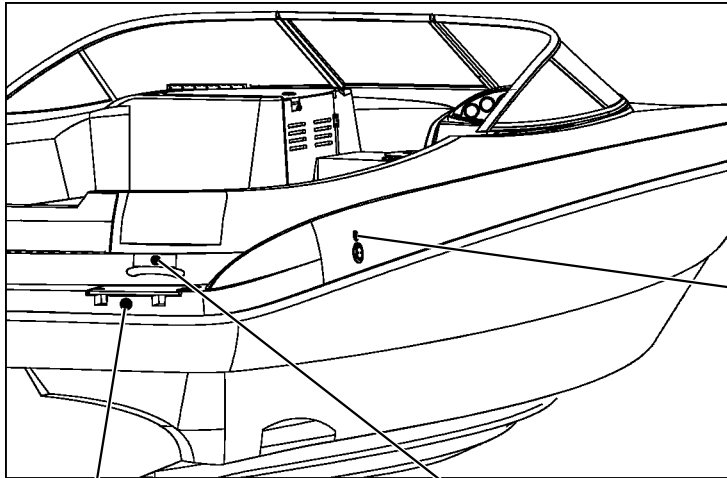
For more information about how you can prevent carbon monoxide poisoning on recreational boats and other ways to boat more safely, contact:

United States Coast Guard Office of Boating Safety (G-OPB-3) 2100 Second Street SW Washington, DC 20593 www.uscgboating.org 1-800-368-5647	National Marine Manufacturers Association (NMMA) 200 East Randolph Drive Suite 5100 Chicago, IL 60601-9301 www.nmma.org 312-946-6200	American Boat & Yacht Council, Inc. (ABYC) 3069 Solomon's Island Road Edgewater, MD 21037-1416 www.abycinc.org 410-956-1050
---	--	--

For information on how to get a free VESSEL SAFETY CHECK, visit [www.vesselsafetycheck.org](http://www.vesselsafetycheck.org) or contact your local U.S. Coast Guard Auxiliary or United States Power Squadrons®.

- U.S. Coast Guard Auxiliary: 1-800-368-5647 or on the Internet at: <http://www.cgaux.org>
- U.S. Power Squadrons: 1-888-FOR-USPS (1-888-367-8777) or on the Internet at: <http://www.usps.org>

# Warnings & Warning Labels

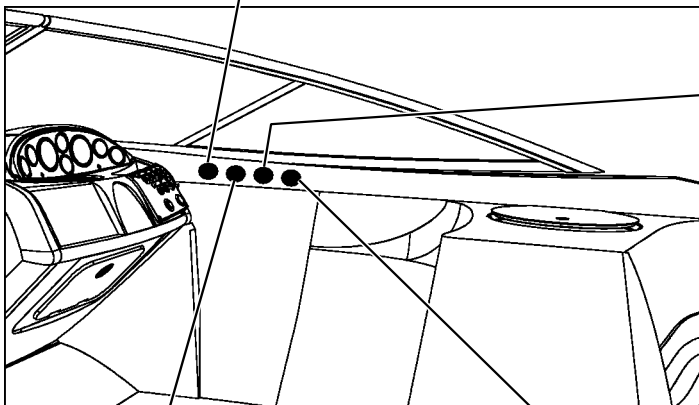


**CAUTION**  
**DISENFECT AND FLUSH POTABLE WATER SYSTEM BEFORE USING. FAILURE CAN CAUSE ILLNESS.**  
 1703699  
 1703699

**WARNING**  
**DO NOT ATTEMPT TO BOARD OR USE THE LADDER IF MOTOR IS RUNNING.**  
 1703700

**DANGER**  
**Carbon monoxide (CO) can cause brain damage or death.**  
 Engine and generator exhaust contains odorless and colorless carbon monoxide gas.  
 Carbon monoxide will be around the back of the boat when engines or generators are running.  
 Move to fresh air if you feel nausea, headache, dizziness, or drowsiness.  
 1811367

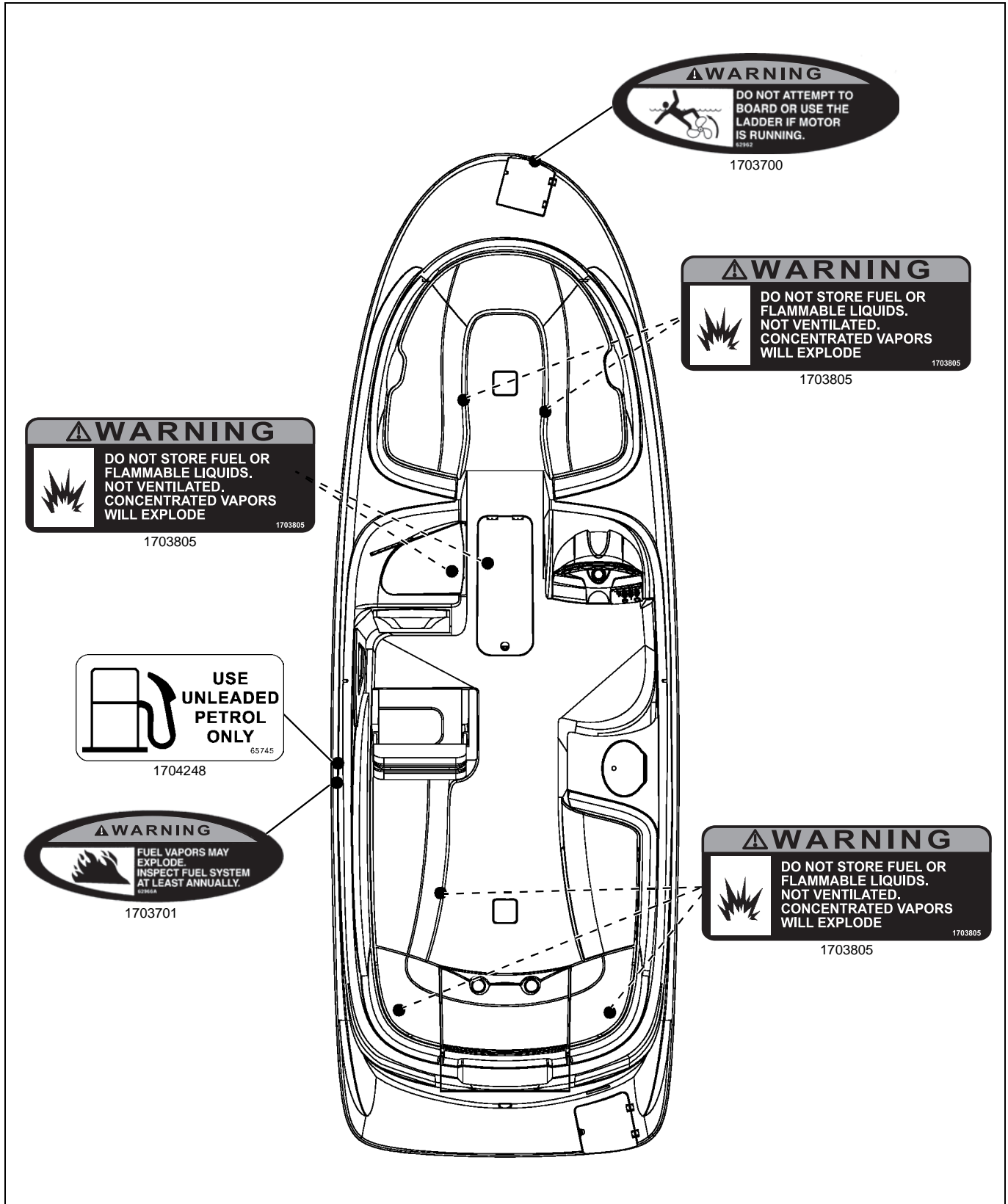
**MAXIMUM CAPACITIES**  
**11 PERSONS OR 1800 LBS.**  
 2000 LBS, PERSONS, GEAR  
 THIS BOAT COMPLIES WITH U.S. COAST GUARD SAFETY STANDARDS IN EFFECT ON THE DATE OF CERTIFICATION  
 MANUFACTURER: BRUNSMICK FAMILY BOAT CO, KNOXVILLE, TN 37929  
 MODEL: 245BR  
 DESIGN COMPLIANCE WITH NMMA REQUIREMENTS IS VERIFIED. MANUFACTURER RESPONSIBLE FOR PRODUCTION CONTROL.  
**NMMA CERTIFIED**  
 NATIONAL MARINE MANUFACTURERS ASSOCIATION  
 1837762



**WARNING**  
**QUALIFIED OPERATOR TO BE IN CONTROL AT ALL TIMES. OPERATION BY AN UNQUALIFIED OPERATOR CAN CAUSE LOSS OF CONTROL. THIS MAY RESULT IN SEVERE INJURY, DEATH, OR PROPERTY DAMAGE. BOAT STABILITY AND HANDLING WILL CHANGE WITH WEIGHT DISTRIBUTION. READ OWNER'S MANUAL BEFORE USE.**  
 1706140

**WARNING**  
**GASOLINE VAPORS CAN EXPLODE. BEFORE STARTING, OPERATE BLOWER 4 MINUTES. CHECK ENGINE COMPARTMENT BILGE FOR FUEL VAPORS. RUN BLOWER BELOW CRUISING SPEED.**  
 1704247

**WARNING**  
**Carbon monoxide (CO) can cause brain damage or death.**  
 Engine and generator exhaust contains odorless and colorless carbon monoxide gas.  
 Signs of carbon monoxide poisoning include nausea, headache, dizziness, drowsiness, and lack of consciousness.  
 Get fresh air if anyone shows signs of carbon monoxide poisoning.  
 See Owner's Manual for information regarding carbon monoxide poisoning.  
 1811368

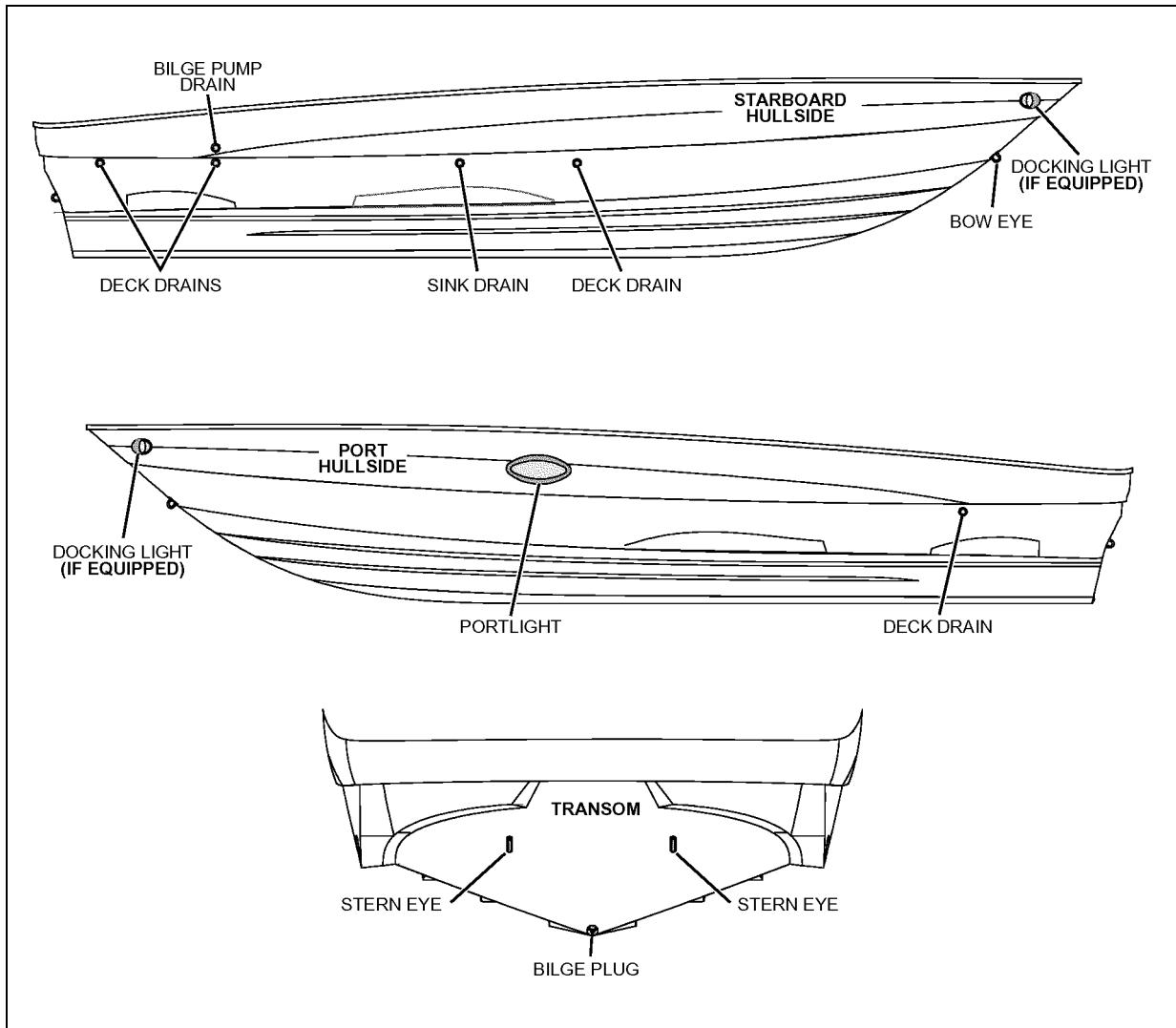




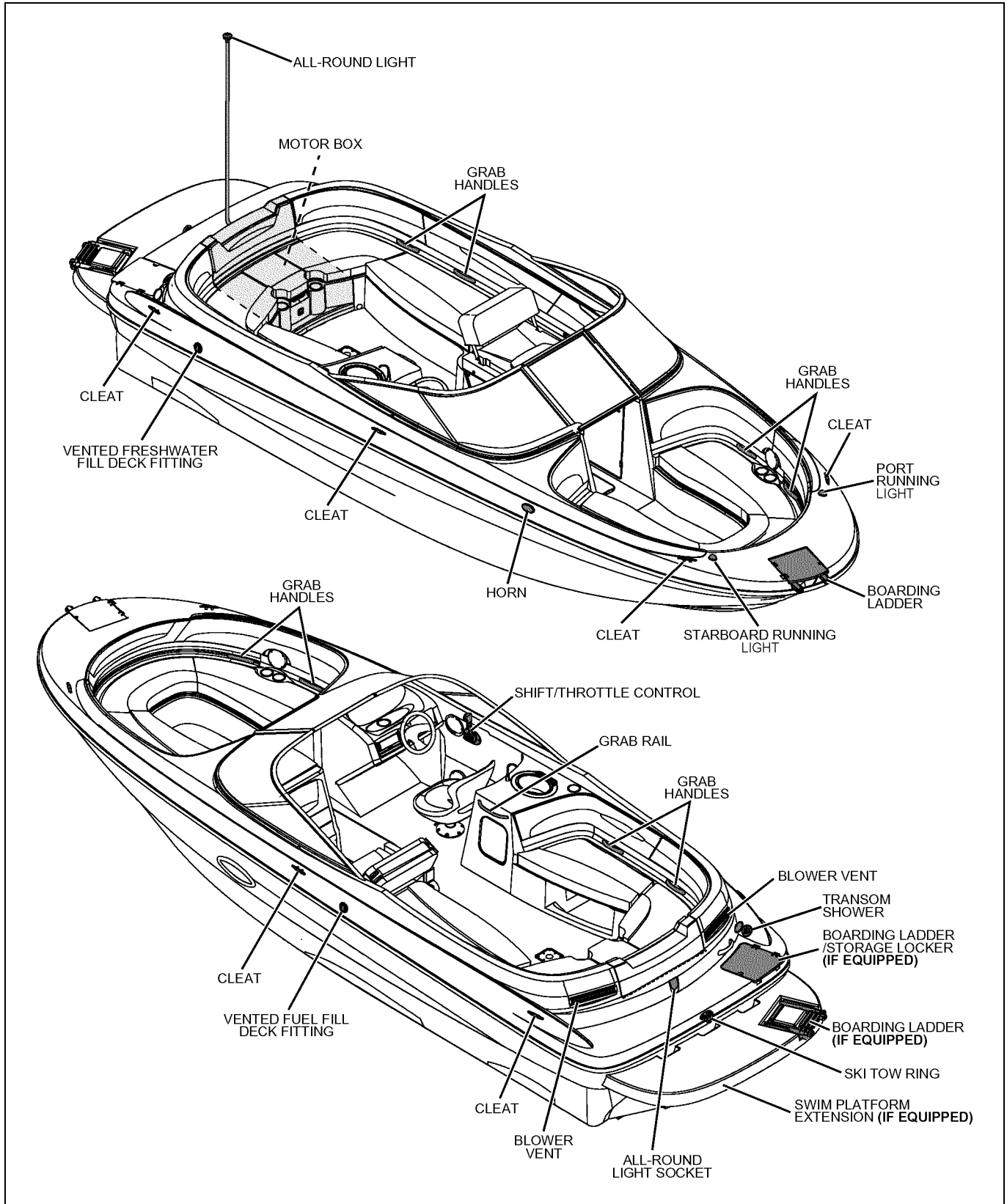
## Chapter 2: Locations

### Exterior Views

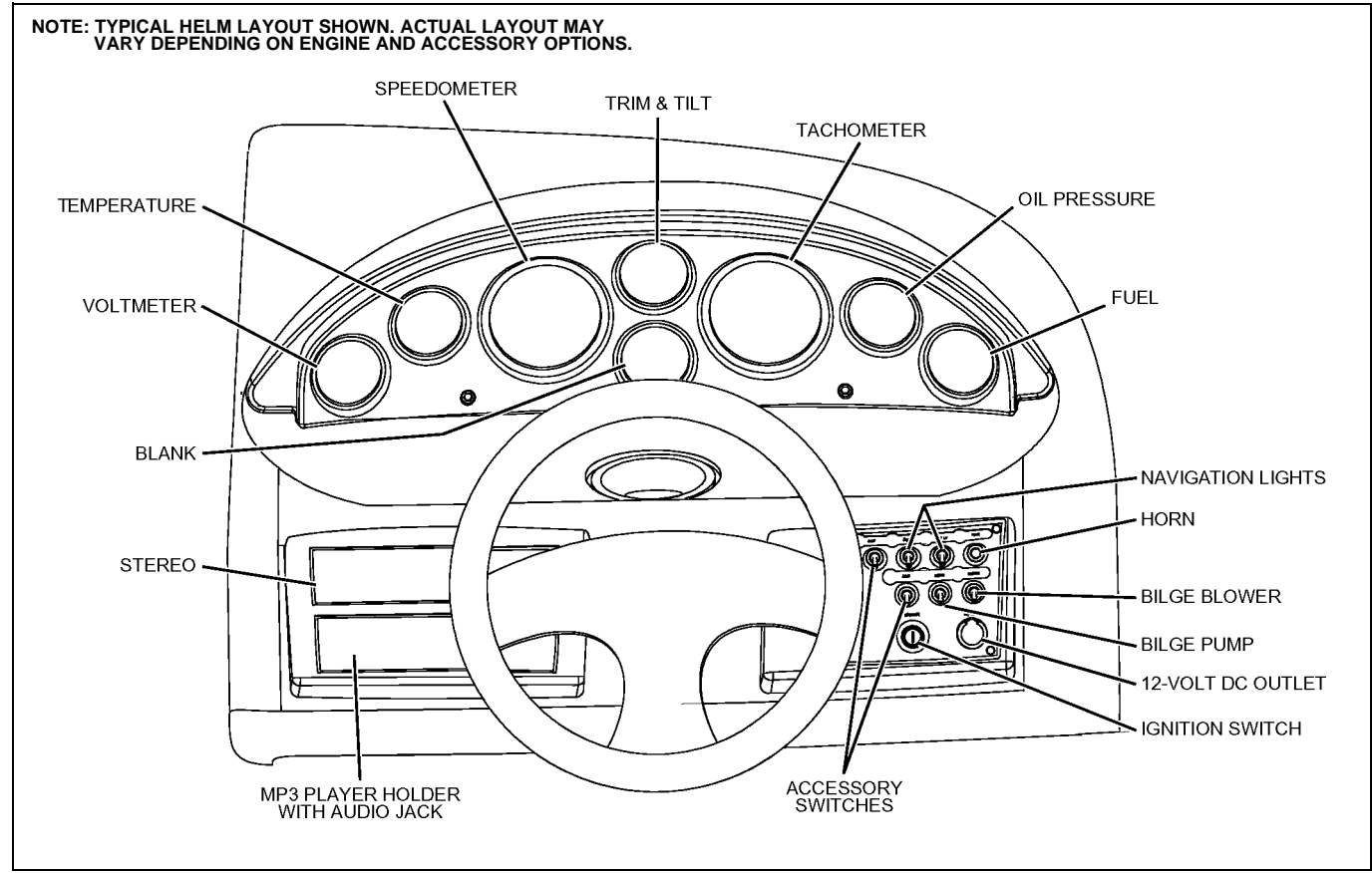
#### Hull Views



### Deck Views

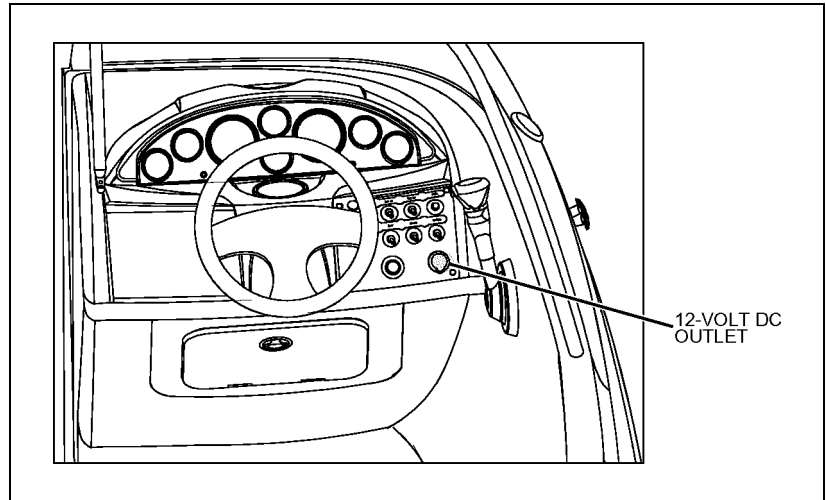


### Helm



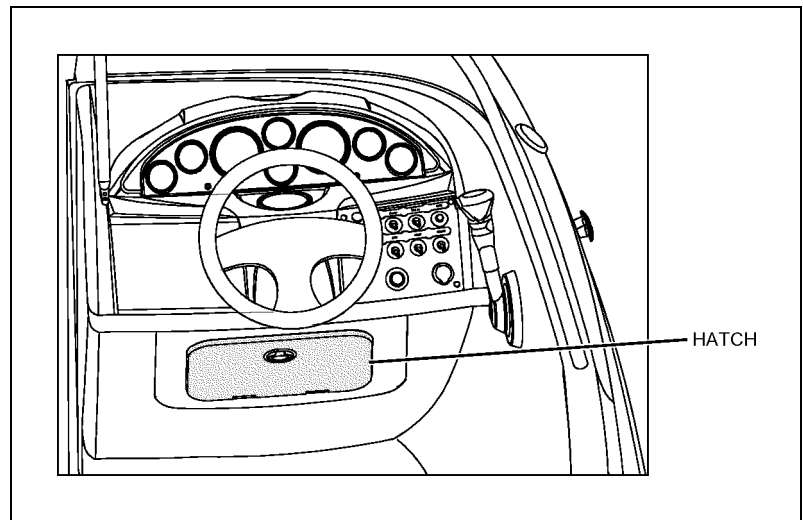
### Component Locations

**12-Volt DC Accessory Outlet:** Located at the helm.

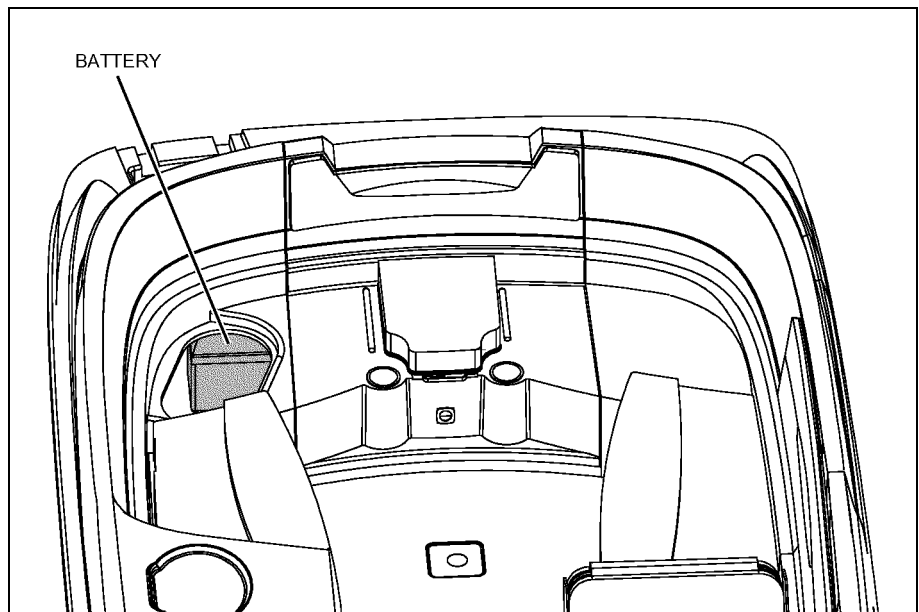


**12-Volt DC Fuse Block:**

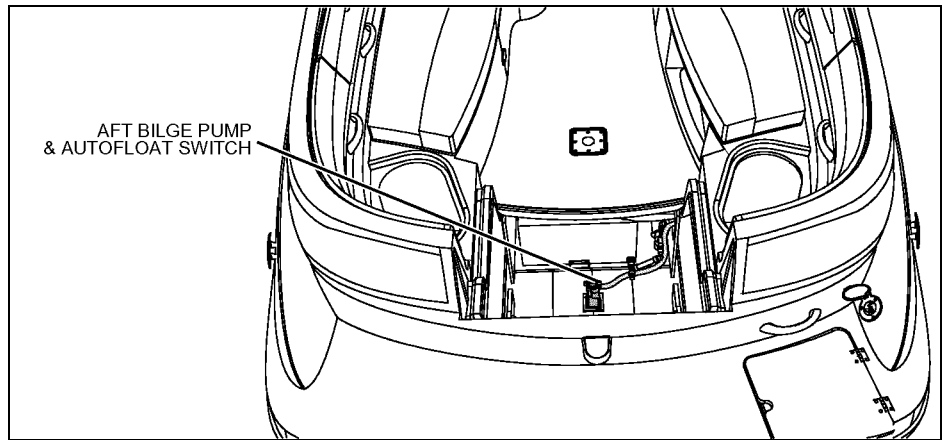
- Located under the helm dash.
- Access through the hatch below the helm.



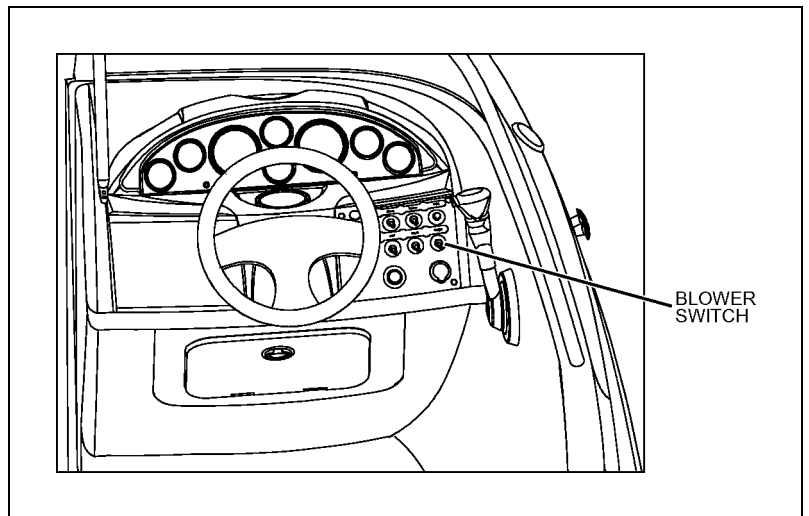
**Battery:** Located under the starboard jump seat cushion.



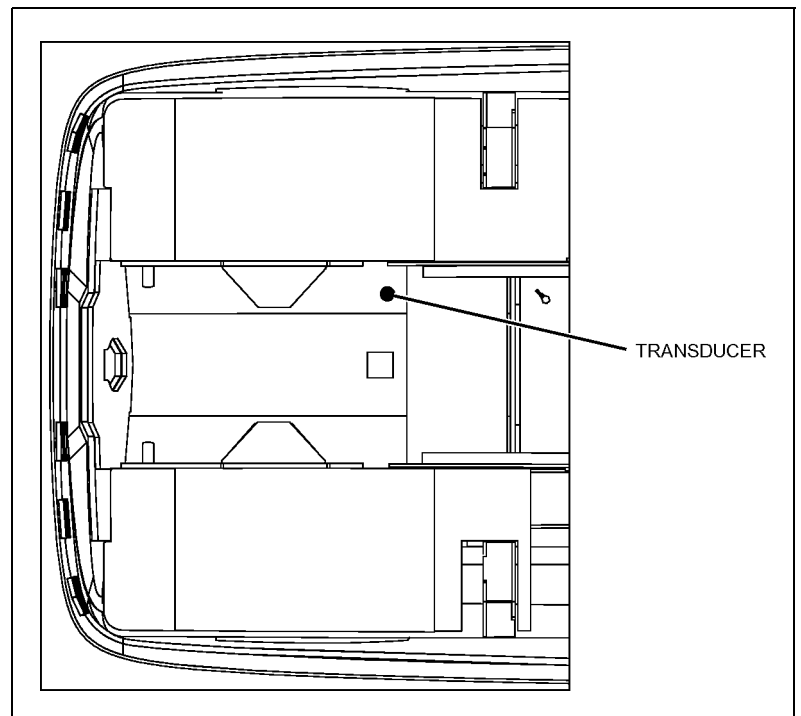
**Bilge Pump:** Located in the forward area of the engine compartment bilge.



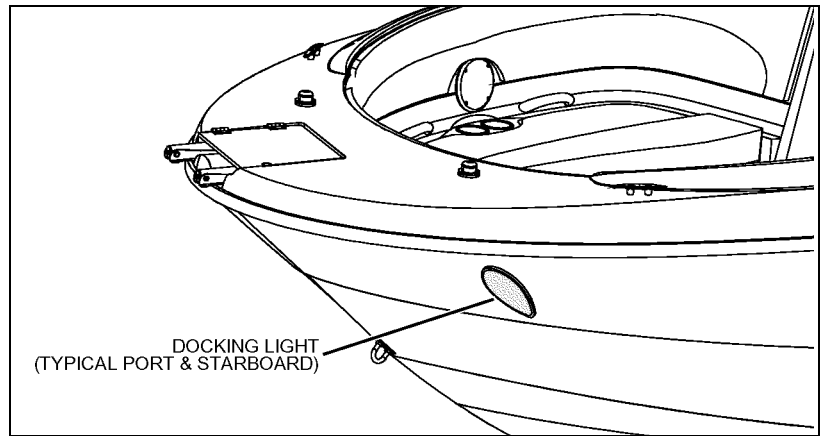
**Blower Switch:** Located at the helm.



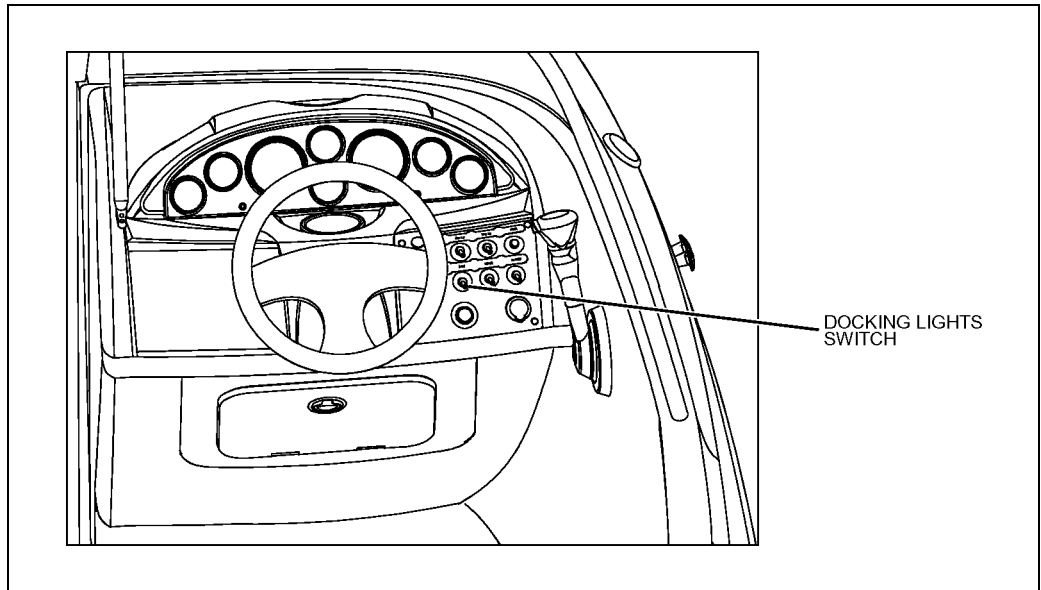
**Depth Finder Transducer:** Located in the forward area of the engine compartment bilge.



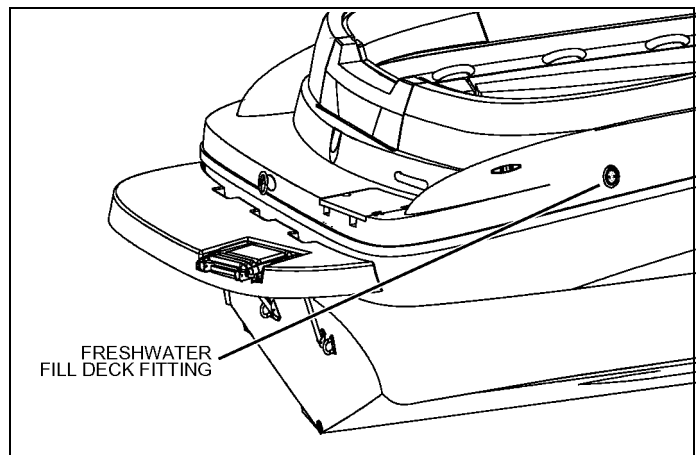
**Docking Lights (If Equipped):** Located on each side of the forward hull, just below the gunnel.



**Docking Lights Switch (If Equipped):** Located at the helm.

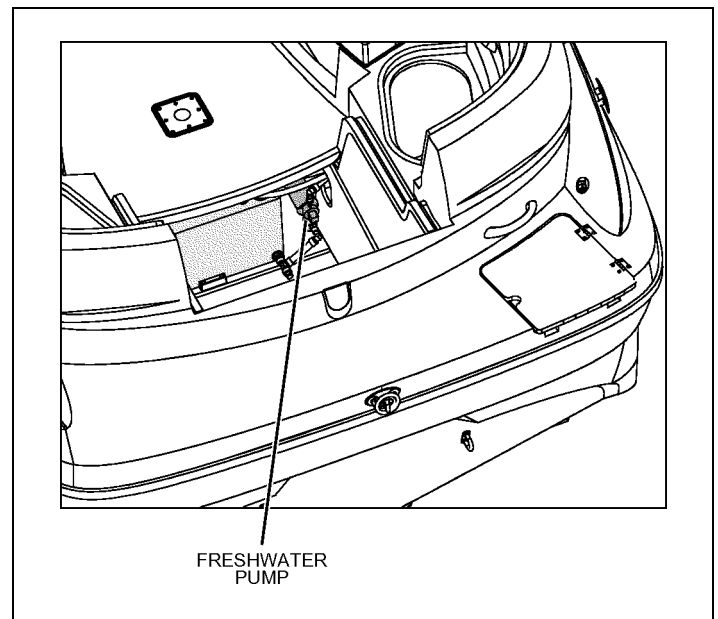


**Freshwater Fill Deck Fitting (marked WATER):** Located on the starboard aft deck.

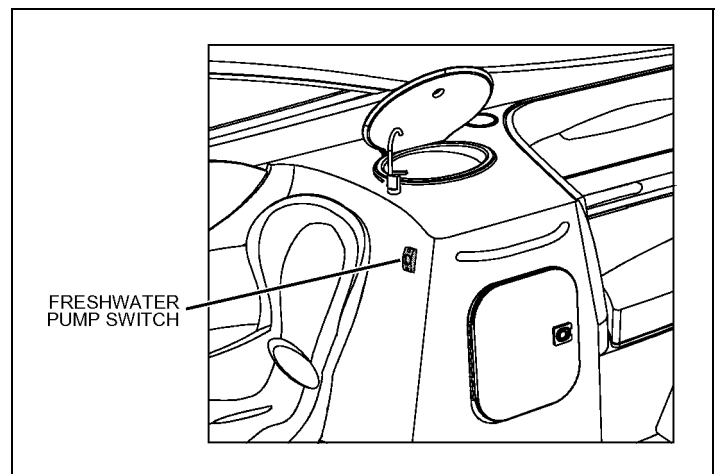


**Freshwater Pump:**

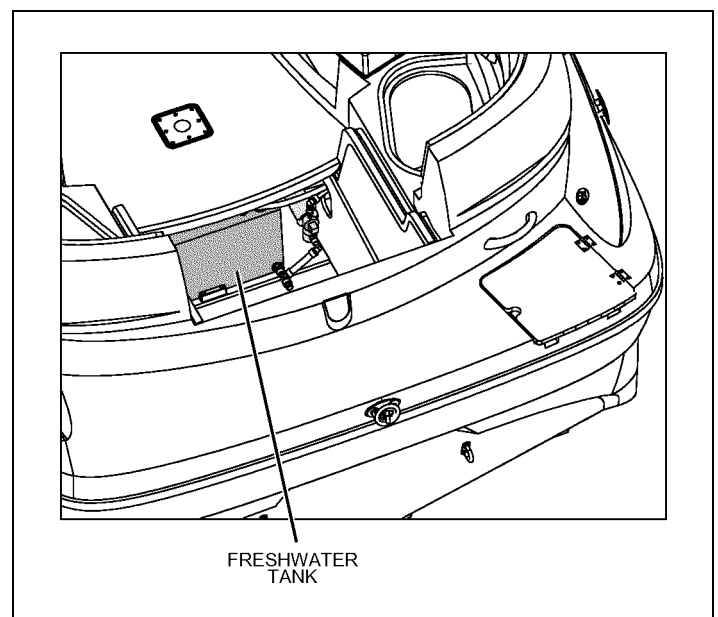
- Located in the bilge, under the cockpit floor, starboard of the freshwater tank.
- Access by lifting the motorbox.



**Freshwater Pump Switch:** Located on the forward side of the entertainment center.

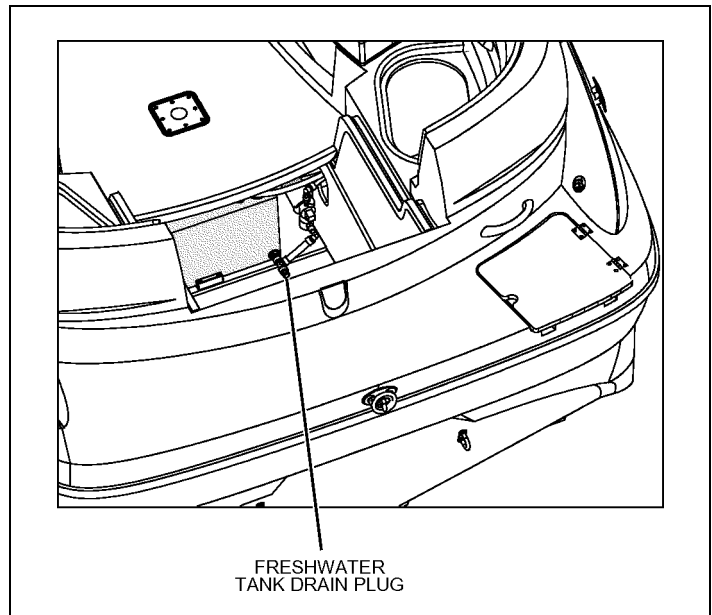
**Freshwater Tank:**

- Located under the cockpit floor.
- Access by lifting the motorbox cover.

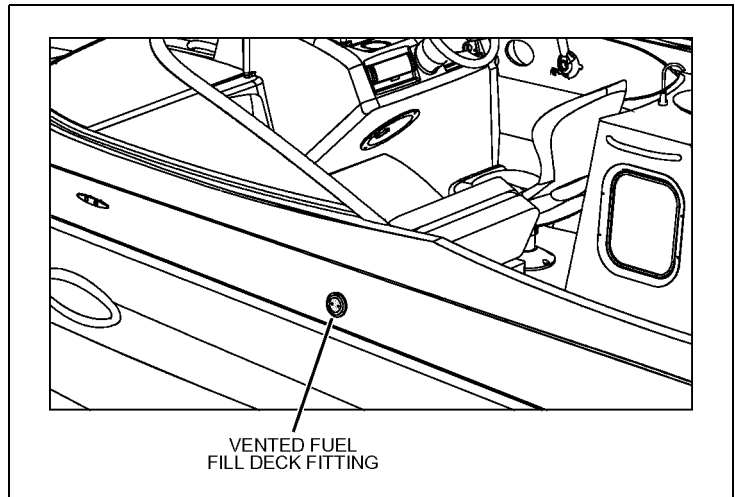


**Freshwater Tank Drain Plug:**

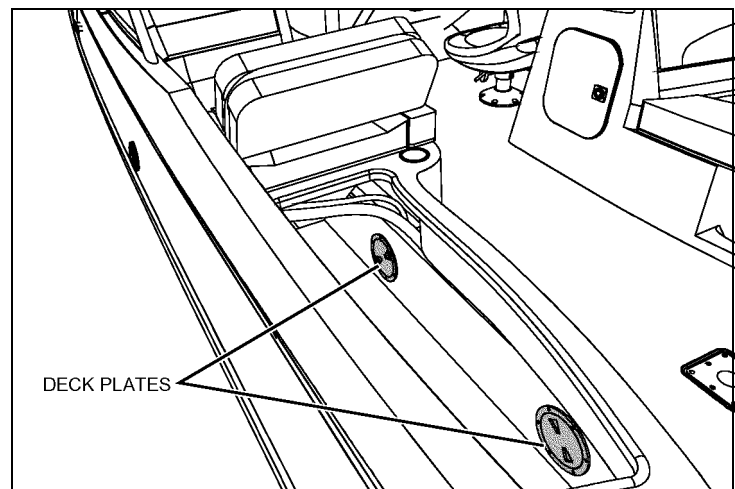
- Located in the forward engine compartment.
- Access by lifting the motorbox cover.



**Fuel Fill Deck Fitting (marked GAS):** Located on the port deck.

**Fuel Tank Fittings and Sending Unit:**

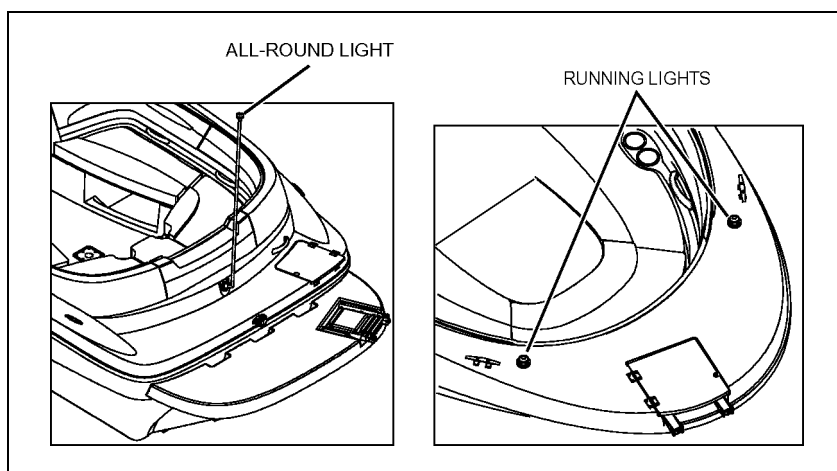
- Located on the fuel tank, under the cockpit floor.
- Access through the deck plates under the port mid seat cushion.



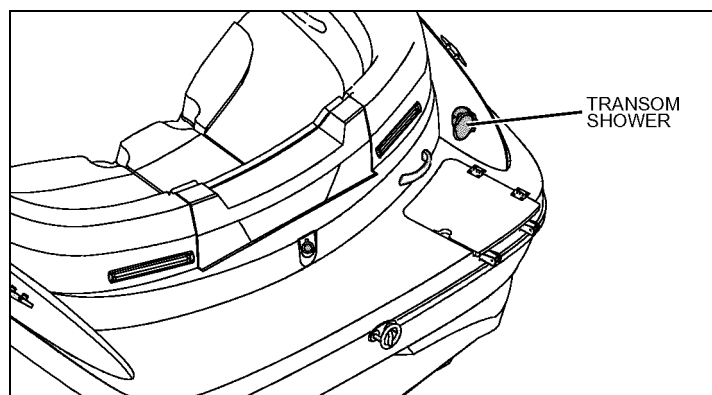


**Navigation Lights:**

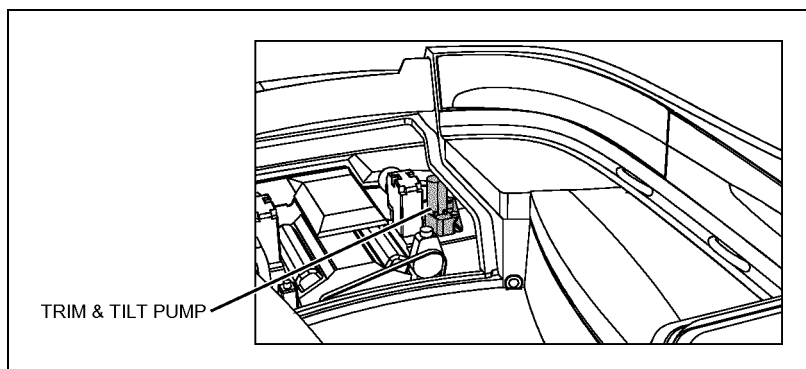
- Red and green running lights are located on the forward deck.
- White all-round light is located on the stern.



**Transom Shower:** Located on the starboard aft corner of the deck, next to the boarding ladder.

**Trim & Tilt Pump:**

- Located in the port transom compartment.
- Access by lifting the motorbox cover.



## Chapter 3: Propulsion & Related Systems

---

### Engine

#### NOTICE

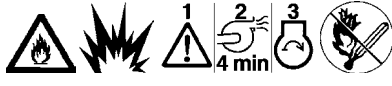
Read the engine manual *BEFORE* starting or working on your engine.

While the topics listed below may be included in this *Owner's Manual Supplement* and in the *Sport Boat Owner's Manual*, *always* refer to the engine manual first for specific information on these important subjects:

- Engine Break-in Procedure
- Engine Starting and Stopping
- Gear Shifting
- Fuel and Oil Recommendations
- Engine Maintenance
- Engine Storage/Winterization

## Bilge Blower System

⚠ **WARNING!**



**FIRE and EXPLOSION HAZARD!**

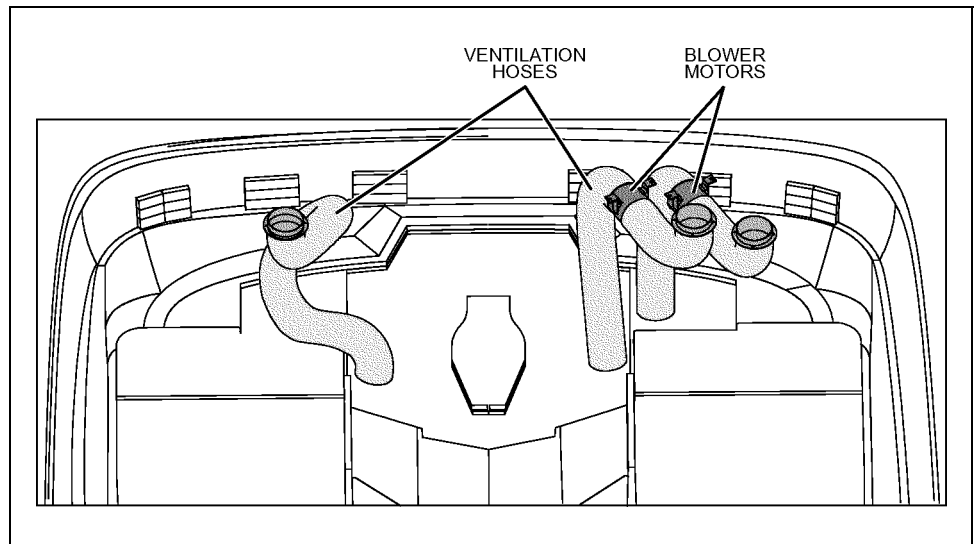
Fuel vapors can explode! **BEFORE** starting the engine:

1. Check the bilge areas for fuel vapors or leaking fuel. If you see leaking fuel or smell fuel vapors:
  - a. Do **NOT** start the engine, do **NOT** turn *On* any electrical devices, extinguish **ALL** cigarettes, cigars, and other sources of flame or ignition.
  - b. Get everyone off your boat.
  - c. Get trained help to find and fix the problem.
2. Run the bilge blower for at least four minutes prior to engine starting, electrical system maintenance, or activation of electrical devices.
  - If you smell fuel vapors and the engine is already running;
    - a. Shut *Off* the engine and turn *Off* **ALL** electrical devices.
    - b. Extinguish **ALL** cigarettes, cigars, and other sources of flame or ignition.
    - c. Get trained help to find and fix the problem.
  - **NEVER** obstruct or change the bilge blower system.

- The bilge blower system removes explosive fumes from the engine and bilge areas.
- Fresh air is drawn into the engine and bilge areas through the vents.

**To make sure the engine and bilge areas are properly ventilated:**

- Use the "sniff test" to check the engine and bilge areas for fuel vapors *before* starting the engine.
- **Always** run the bilge blower for at least four minutes *before* starting the engine.
- Continue to run the blower until your boat has reached cruising speed.
- **Always** run the blower when running your boat below cruising speed.



## Fuel System

**⚠ WARNING!**

**🔥 ⚡ 🔪 FIRE, EXPLOSION, and OPEN FLAME HAZARD!**

- It is very important that the fuel system be inspected thoroughly the first time it is filled and at each subsequent filling.
- The fueling instructions in the *Sport Boat Owner's Manual* and the fuel recommendations in the engine operation manual **MUST** be followed.

**⚠ CAUTION**

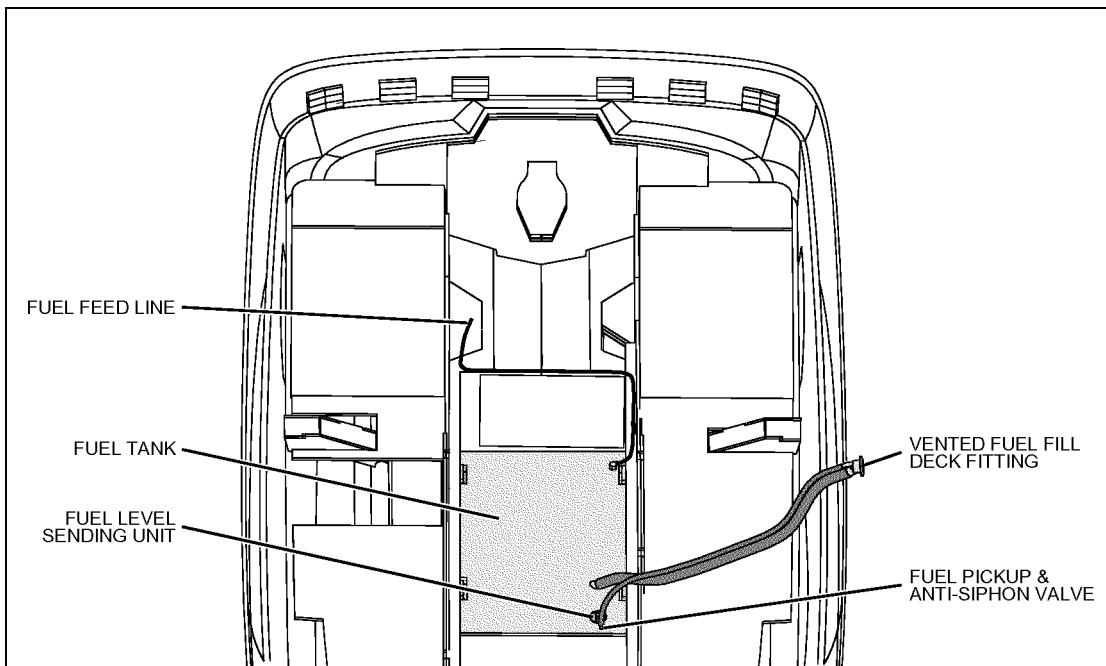
Avoid the storage or handling of gear near the fuel lines, fittings and tank.

**NOTICE**

Carefully read the fuel section of both the *Sport Boat Owner's Manual* and the engine operation manual, paying special attention to the subject of *fuel recommendations*.

### Fuel Fill & Vent

- The fuel fill deck fitting is marked GAS.
- If you have problems filling the fuel tank, see if the fuel fill hose or fuel tank vent hose is kinked or collapsed.
- If there are no visible signs of a problem, contact your local dealer.



### Fuel Filters

- The fuel pickup tube, located inside the fuel tank, is equipped with a fine mesh screen filter.
- Also, when supplied by the engine manufacturer, a fuel filter is installed on the engine.
- Periodically replace the fuel filters to make sure they remain clean and free of debris.
- Talk to your selling dealer or local marina about fuel additives that help prevent fungus or other buildup in your fuel tank.

## ***Anti-siphon Valve***

### **NOTICE**

- **If an engine running problem is diagnosed as fuel starvation, check the anti-siphon valve.**
- **If the valve is stuck or clogged, *ONLY* change or replace it while the engine is *Off*.**
- ***NEVER* run the engine with the anti-siphon valve removed, except in an emergency.**

- The anti-siphon valve is a vital fuel system part.
- If the fuel line ruptures, this valve will prevent the fuel from siphoning from the tank.
- The valve is located on the fuel tank, where the fuel feed line attaches to the tank.
- The valve is spring loaded and is opened by fuel pump vacuum.

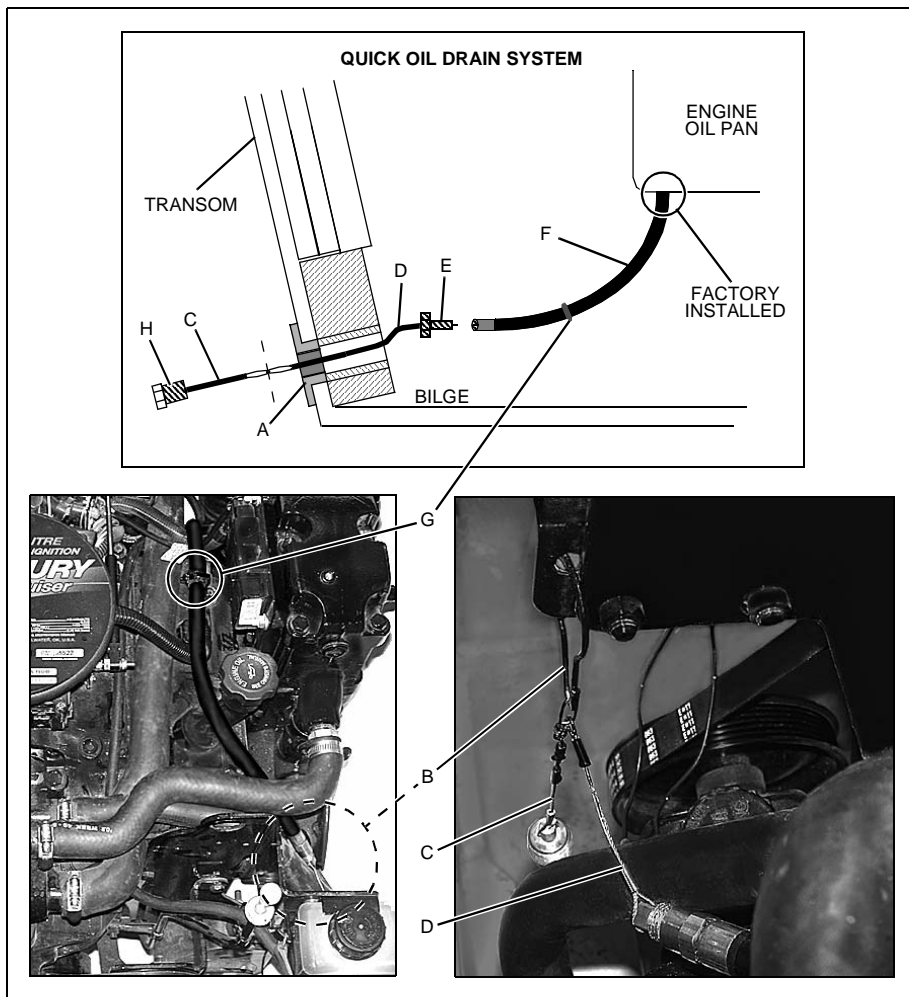
## Quick Oil Drain System

The quick oil drain hose assembly was attached to the engine oil pan at the factory. However, some minor assembly is still needed *before* you can use this system.

**NOTE:** This is not the only method for changing your oil. Your selling dealer can recommend other methods.

### How to install the quick oil drain system:

1. Unscrew the factory installed bilge plug from the bilge drain (A). **NOTE:** Keep the original factory bilge plug on your boat as a spare.
2. Unclip the quick oil drain assembly from the wire loop (B) on the engine.
3. Unclip the bilge plug's draw cord (C) from the oil drain plug's draw cord (D).
4. Thread the oil drain plug's draw cord (D) through the bilge drain (A).
5. Pull the oil drain plug (E), and the oil drain hose (F) through the bilge drain.
6. Adjust the hose stop clamp (G) so that no more than 12 inches of hose, including the oil drain plug, can extend out of the bilge drain (A).
7. Clip the bilge plug's draw cord (C) back to the oil drain plug's draw cord (D).
8. Push the oil drain hose, oil drain plug, and both draw cords through the bilge drain and into the bilge area.
9. Screw the bilge plug (H) into the bilge drain (A) and tighten firmly.



### To drain the engine oil:

1. Remove your boat from the water.
2. Unscrew the bilge plug.
3. Pull the draw cord until the oil drain plug and the oil drain hose slide out of the bilge drain.
4. Place the end of the oil drain hose into a suitable container.
5. Unscrew the oil drain plug and drain the engine oil.
6. Replace the oil drain plug.
7. Push the drain hose back into the bilge.
8. Replace the bilge plug and tighten firmly.

**Always dispose of waste oil in accordance with local regulations.**

## Chapter 4: Controls & Gauges

---

### Steering

- Your boat features a power-assisted\* rack-and-pinion steering system.
- For information about the power-assist fluid reservoir, refer to the engine operation and maintenance manual.
- Boat steering is *not* self-centering.
- Refer to the engine manual for more steering system details.

\*3.0L engines feature mechanical rack-and-pinion steering.

### Shift/Throttle Controls

 <b>WARNING!</b>
<b><i>LOSS OF CONTROL HAZARD!</i></b>
<b>Improper maintenance of the shift/throttle hardware may cause a sudden loss of control!</b>


Read *all* of the information about the shift/throttle controls in the shift/throttle manual, the engine operation manual, and the *Sport Boat Owner's Manual*.

### Power Trim & Tilt

- The stern drive on your boat is equipped with power trim and tilt.
- Trim and tilt instructions are provided in the engine operation manual and the shift/throttle manual.

## Gauges

### *Cleaning the Gauges*

 <b>CAUTION</b>
<b><i>PRODUCT or PROPERTY DAMAGE HAZARD!</i></b>
<ul style="list-style-type: none"><li>• Use only mild soap and water to clean the gauge lenses and bezels.</li><li>• Use of other cleaners, including common window cleaning solutions, may cause the lenses to crack.</li><li>• Lenses cracked in this manner will <b>NOT</b> be covered by our warranty.</li></ul>

### *Gauge Fogging*

- Moisture may occasionally find its way into the gauges causing lens fogging.
- Turning *On* the gauge lights will help dry the lenses.
- Fogging will not harm the gauges.


### *Radio Transmission Interference*

VHF or other radio transmissions may cause brief erratic readings on the tachometer. This will not damage the tachometer gauge or affect its accuracy when not transmitting.

### *Fuel Gauge*

It is normal for the pointer on your fuel gauge to bounce as fuel sloshes back and forth in the fuel tank.

## Depth Finder

 <b>WARNING!</b>
<ul style="list-style-type: none"><li>• Do <b>NOT</b> use the depth finder as a navigational aid to prevent collision, grounding, boat damage or personal injury.</li><li>• When your boat is moving, submerged objects will <b>NOT</b> be seen until they are already under your boat.</li><li>• Bottom depths may change too quickly to allow time for your boat to react.</li><li>• If you suspect shallow water or submerged objects, run your boat at very slow speeds.</li></ul>



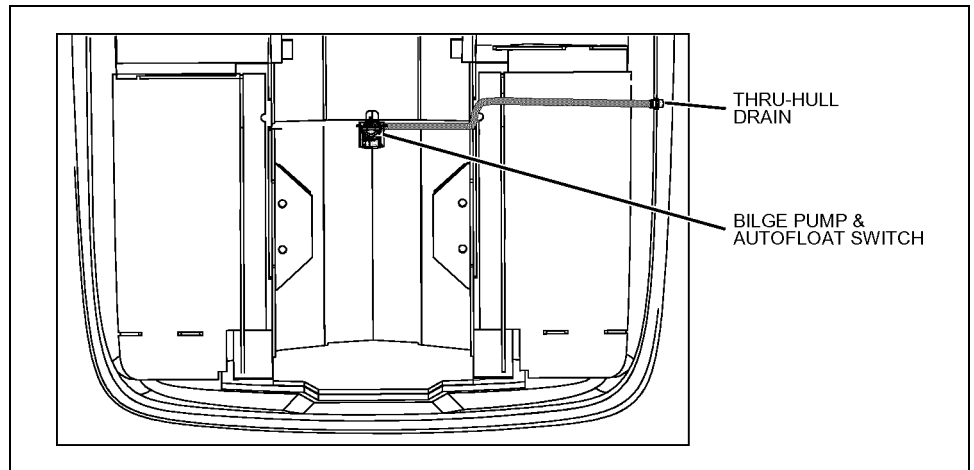
## Chapter 5: Plumbing

### Bilge Pump

#### NOTICE

Discharge of oil, oil waste, or fuel into navigable waters is prohibited by law. Violators are subject to legal action by the local authorities.

- Your boat has a bilge pump for pumping water out of the bilge.
- An autofloat switch, mounted next to the bilge pump, will turn **On** the bilge pump if bilge water rises above a pre-set level.
- You can also turn **On** the bilge pump using the switch at the helm.
- The bilge pump is wired directly to the battery. Unless the battery is dead, the bilge pump should work even when your boat is unattended.

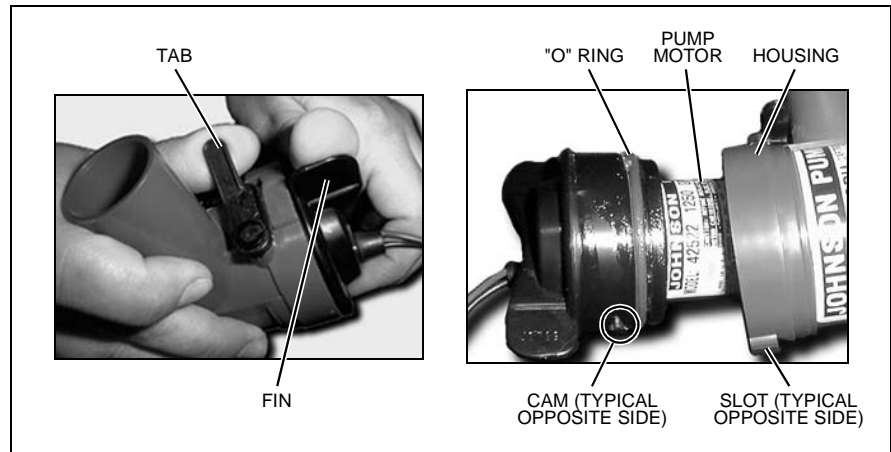


### Bilge Pump Testing

- The bilge pump is vital to the safety of your boat.
  - Test the bilge pump often.
1. Turn **On** the bilge pump switch at the helm.
  2. Make sure that water in the bilge is pumped overboard.
- If there is water in the bilge and the pump motor is running but **not** pumping, inspect the discharge hose for a kink or collapsed area.
  - If the discharge hose looks okay, check the bilge pump housing for clogging debris (see below).

### Checking for clogging debris:

1. Remove the pump motor from the housing:
  - a. Lift the tab while rotating the fins counter-clockwise.
  - b. Lift out the pump motor.
  - c. Clear the housing of debris.
2. Reinstall the pump motor:
  - a. Make sure the "O" ring is properly seated.
  - b. Coat the "O" ring with a light film of vegetable or mineral oil.
  - c. Align the cams on either side of the pump motor with the slots on the housing.
  - d. Press the pump motor into the housing while twisting clockwise.
3. Check the reinstallation by trying to twist the fins counter-clockwise **without** lifting the tab; the pump motor should stay in place.

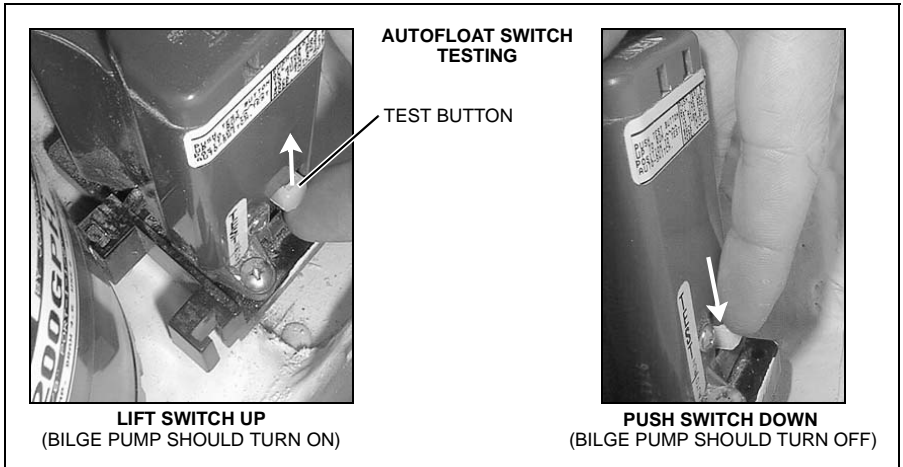


### Autofloat Switch

- The autofloat switch turns the bilge pump **On** when water rises above a preset level.
- Test the autofloat switch often.

#### Autofloat switch testing:

1. Lift the float switch test button to turn **On** the bilge pump.
- If the pump does not turn **On**, check the fuse on the fuse block.
- If the fuse is good, but the switch still does not work, it may mean the switch is bad, or the battery is dead.
2. After testing, push the test button all the way **down** to return the float switch to auto mode.



## CAUTION

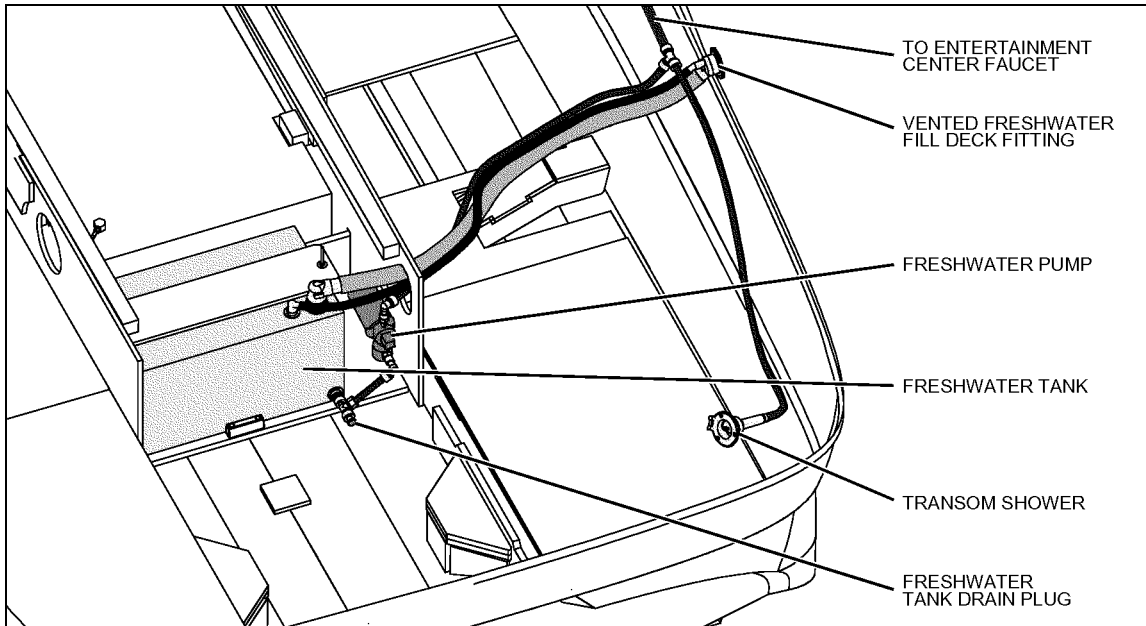
When the test is completed on the float switch, you **MUST** push the test button **ALL THE WAY DOWN** to return the switch to auto mode!

## Freshwater System



### WARNING!

- **ONLY** use safe drinking (potable) water in your boat's freshwater system.
- **ONLY** use FDA approved "drinking water safe" hoses when filling the freshwater tank.
- **NEVER** use common garden hoses for drinking water.



- Read the *Freshwater System* section in the *Sport Boat Owner's Manual*.
- The freshwater fill deck fitting is marked **WATER**.
- Pressurize the freshwater system by turning **On** the freshwater pump switch.
- For the location of the freshwater pump switch, see the *Component Locations* section in *Chapter 2* of this *supplement*.
- Turn **Off** the freshwater pump switch when your boat is **not** in use or when the freshwater tank is empty.
- Inspect and clean the freshwater filter often (the filter is located on the freshwater pump).
- If your boat is to be left unattended for a long period of time, pump the freshwater tank dry to prevent stored water from becoming stagnant and distasteful.
- If the freshwater system needs to be disinfected, ask your dealer about treatments available for your boat's system.

### Transom Shower

- Read the manufacturer's instructions **before** using the transom shower for the first time.
- The freshwater pump switch **must** be turned **On before** using the transom shower.


## Freshwater System Winterization

1. Turn **On** the freshwater pump switch.
2. **Open all** of the faucets and showers and let the freshwater system drain completely.
3. Turn **Off** the freshwater pump switch.

**All** of the remaining water **must** be removed from the water lines. There are two ways to remove the remaining water from the lines:

- Compressed Air
- Gravity Draining

## Compressed Air


CAUTION

**FRESHWATER SYSTEM DAMAGE HAZARD!**

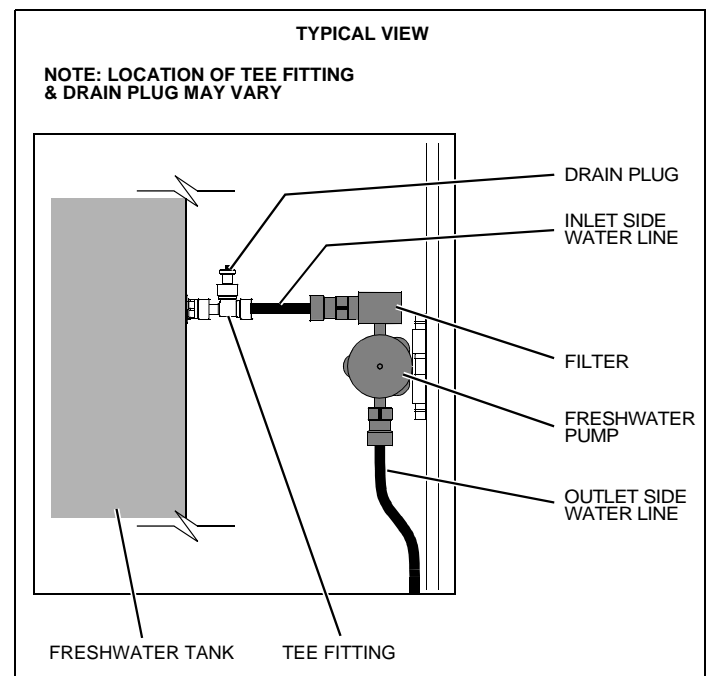
- A faucet **MUST** be **Open** when compressed air is blown through the freshwater system.
- **NEVER** blow compressed air through the water system when **ALL** of the faucets are **Closed**.

You **must** have an air compressor with an air hose and an air nozzle.

1. Remove the water line from the outlet side of the freshwater pump (opposite side from filter).
2. **Open** the faucet that is furthest away from the freshwater pump.
3. Place the air nozzle against the end of the just removed water line and blow air through the system.
4. When water stops coming out of the faucet, stop the air and **Close** the faucet.
5. One at a time, repeat this process on **all** faucets and showers.

## Gravity Draining

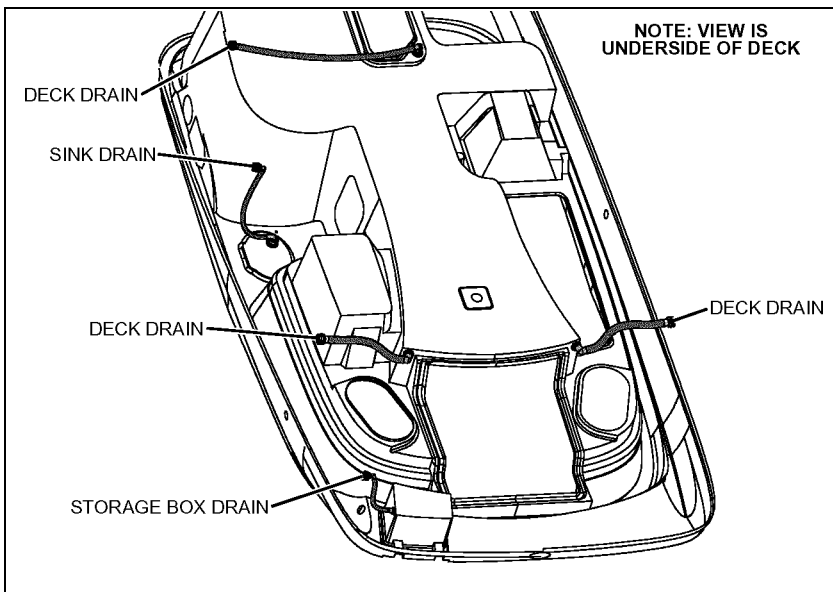
1. **Open all** faucets and showers.
2. Remove the drain plug from the tee fitting on the freshwater tank.
3. When the water has stopped draining from the freshwater tank and the water lines, replace the drain plug.



## Drain Systems

### Deck Drains

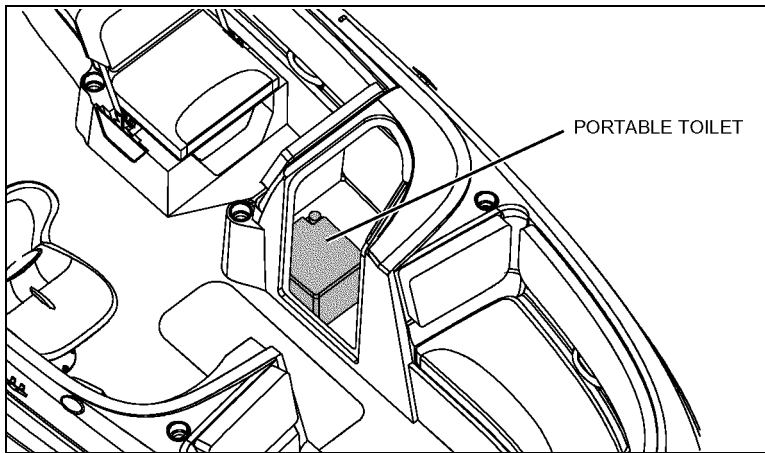
- Water on the deck is drained overboard through the deck drains.
- Keep the deck drains free of debris.
- The entertainment center sink is above the waterline and is gravity drained overboard.



## Portable Toilet

**NOTICE**  
Check with local authorities for regulations regarding the legal use of marine head systems.

Read the manufacturer's operating instructions *before* using the portable toilet.



## Chapter 6: Deck Equipment

---

### Cleats & Bow/Stern Eyes

**⚠ WARNING!**

***PERSONAL INJURY and /or PRODUCT or PROPERTY DAMAGE HAZARD!***

***NEVER*** lift the boat using the bow/stern eyes or the cleats.

Read the section on towing in the *Sport Boat Owner's Manual* **before**:

- Towing anything behind your boat.
- Being towed by another vessel.

### Ski Tow Ring

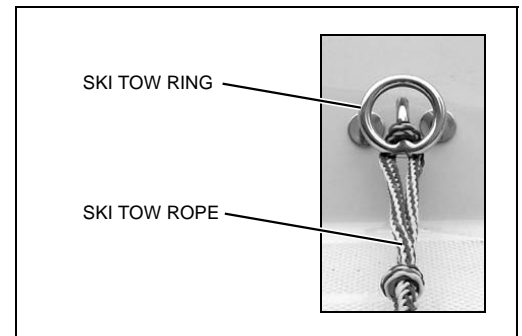
**⚠ WARNING!**

***PERSONAL INJURY and/or PRODUCT or PROPERTY DAMAGE HAZARD!***

Failure to follow these guidelines can result in injury or death:

- ***ONLY*** tow water skis, wakeboards, or recreational towables.
- **Do NOT** tow parasails, kites, or other boats.
- **Do NOT** tow more than two persons at one time.
- Use caution with skier in tow as tow rope may snap back into cockpit when released.

Attach the tow rope as shown in the photo.



## Ski-Tow Tower (If Equipped)



### WARNING!

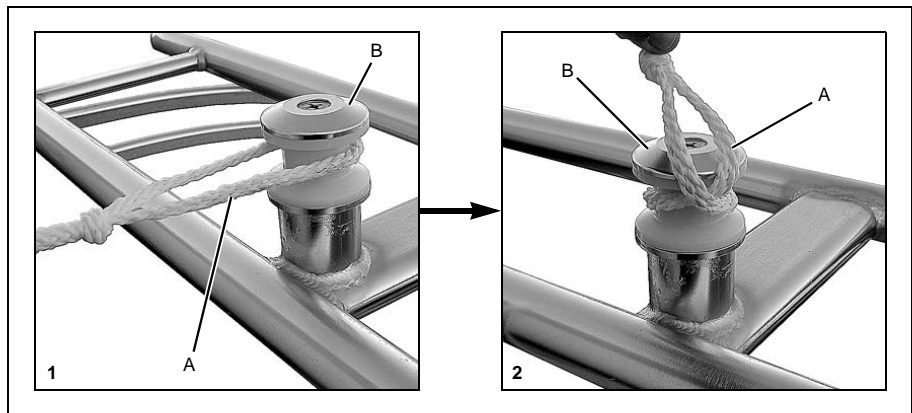
**PERSONAL INJURY and /or PRODUCT or PROPERTY DAMAGE HAZARD!**

Failure to follow these guidelines can result in injury or death:

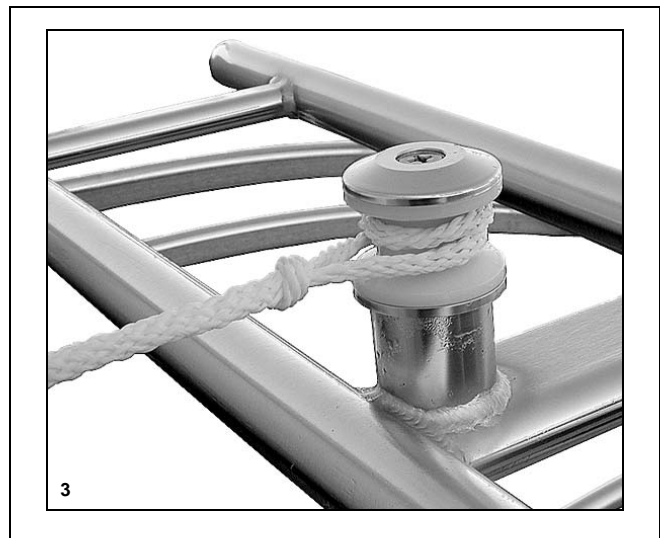
- Read *All* warning labels on ski-tow tower.
- *BEFORE* each use, make sure *All* bolts are in place and tight.
- *ONLY* tow water skis, wakeboards, or recreational towables.
- Do *NOT* exceed the *MAXIMUM* tow weight of 600 pounds.
- Do *NOT* tow parasails, kites, or other boats.
- Do *NOT* tow more than one person at a time.
- Do *NOT* climb on, sit on, stand on, jump off or dive off tower.
- *NEVER* allow passengers to sit behind tow rope attachment point.
- Use caution with skier in tow as tow rope may snap back into cockpit when released.
- *NEVER* allow loose tow rope ends to dangle off tower.
- When tower is up, watch for low obstacles such as tree limbs, bridges, or power lines.

### Attaching the Ski-Tow Rope

1. Place the ski-tow rope loop (A) over the ski-tow pylon (B).
2. Put a twist in the ski-tow rope loop (A) and place over the ski-tow pylon (B) again.



3. Pull ski-tow rope to tighten.





## Folding Ski-Tow Tower



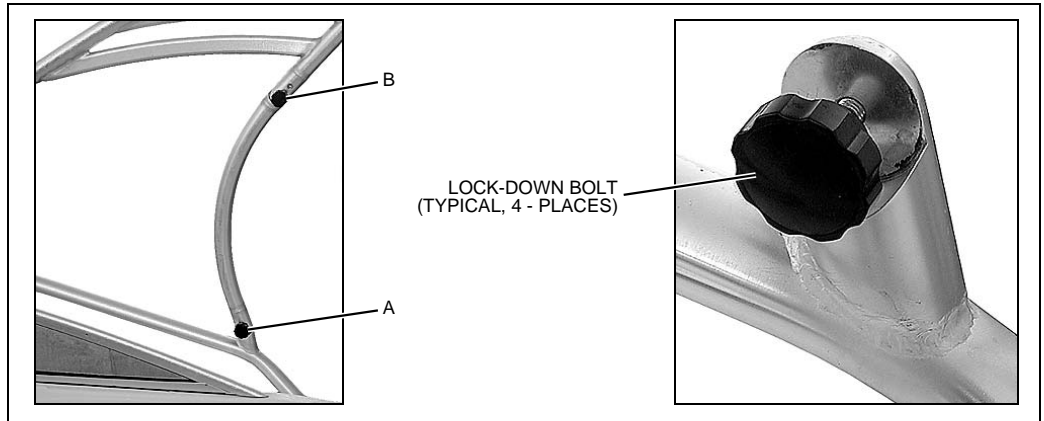
### WARNING!

**PERSONAL INJURY and /or PRODUCT or PROPERTY DAMAGE HAZARD!**

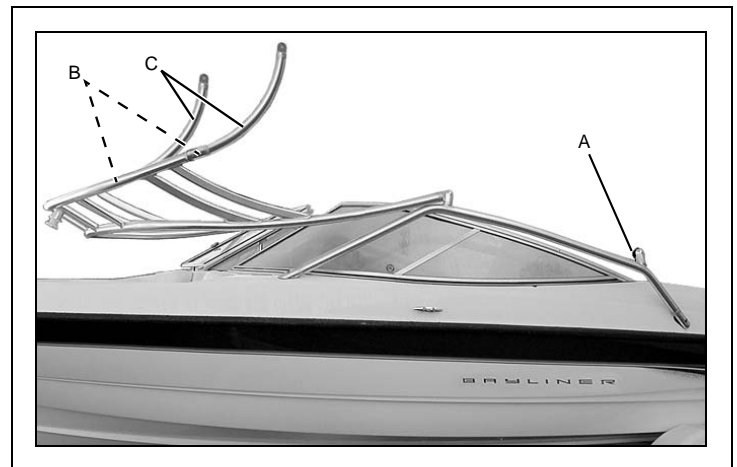
- Folding or unfolding the ski-tow tower is a two person task.
- *Before* each use of the folding ski-tow tower, make sure *all* four lock-down bolts are tightened firmly.
- Read *all* warning labels on the ski-tow tower.

### To fold the ski-tow tower into the storage position:

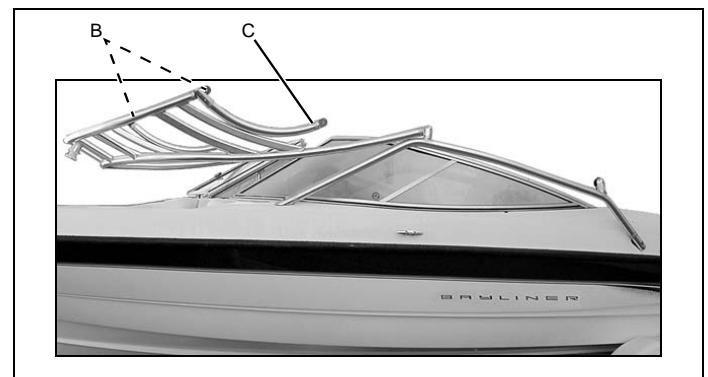
1. Remove the lower lock-down bolt (A) on each side of the tower.



2. Carefully fold the tower forward.
3. Replace the lower lock-down bolts (A).
4. Remove the upper lock-down bolts (B).



5. Lower the support legs (C).
6. Replace the upper lock-down bolts (B).



To return the tower to the towing position, perform the above steps in reverse order.

### Tower Care

Read the manufacturer's 'Care of Tower' card.

# Canvas

**⚠ CAUTION**

**PRODUCT or PROPERTY DAMAGE HAZARD!**

Take down and securely stow *ALL* canvas *BEFORE* your boat is transported by road.

**NOTICE**

*BEFORE* cleaning and/or stowing your canvas, read the *Canvas Care* section, later in this chapter.

**NOTICE**

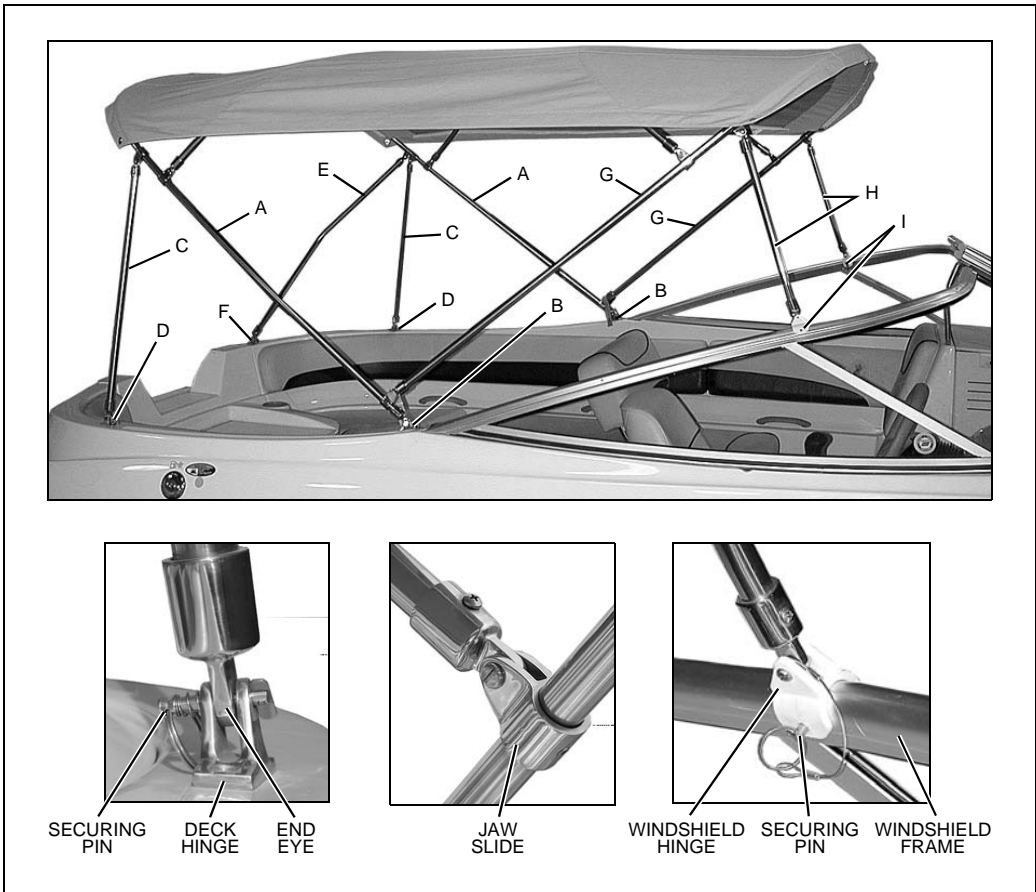
Two people are needed for most of the tasks listed in this section.

**NOTICE**

Some canvas options may not be described. Make sure your dealer explains how to install all canvas.

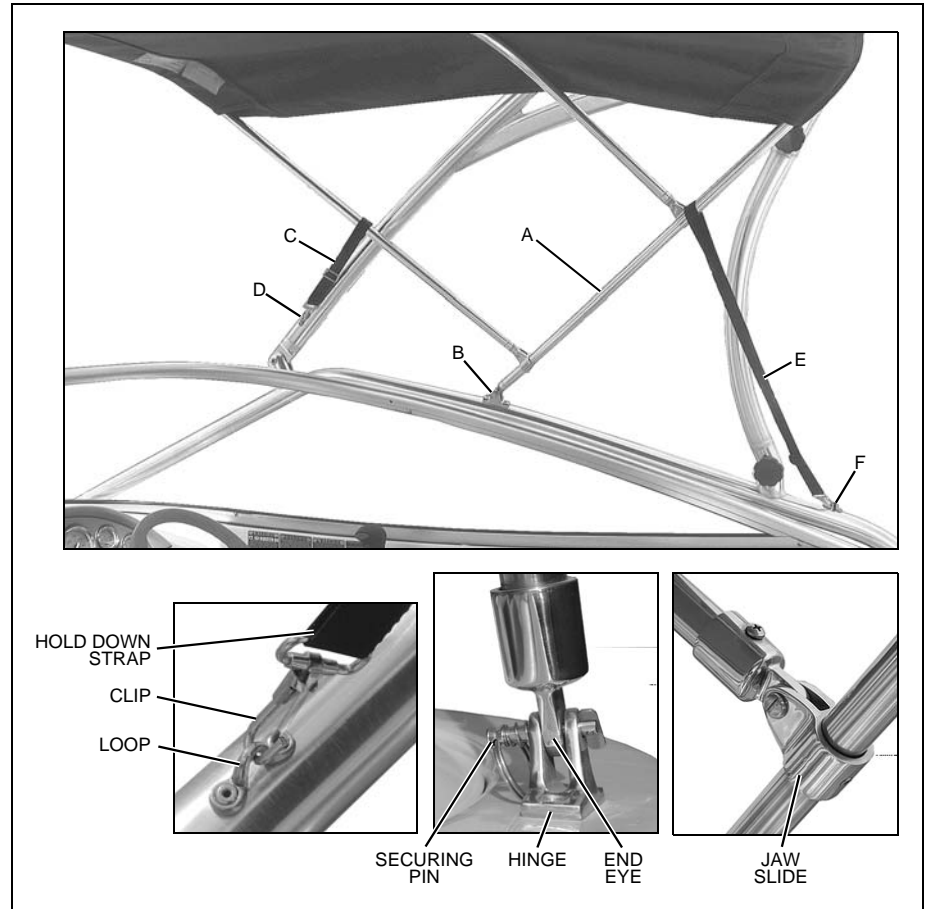
## Bimini Top (If Equipped)

1. Insert the end eyes of the main bow (A) into the deck hinges (B) and insert the securing pins.
  2. Insert the end eyes of the aft braces (C) into the deck hinges (D) and insert the pins.
  3. Insert the end eye of the port stern support (E) into the deck hinge (F) and insert the pin.
  4. Pull the secondary bow (G) and the braces (H) forward.
  5. Slide the windshield hinges of the forward brace over the pre-drilled holes (I) in the windshield frames and secure with the attached pins.
- The jaw slides should not need to be adjusted.
  - If you decide to adjust the jaw slide positions, obtain the correct measurements from your selling dealer.



**Ski-Tow Tower Bimini Top (If Equipped)**


1. Insert the end eyes of the main bow (A) into the hinges (B) and insert the securing pins.
  2. Unfold the canvas and clip the forward hold down strap (C) to the forward loop (D).
  3. Clip the aft hold down strap (E) to the aft loop (F).
  4. Tighten the hold down straps as needed.
- The jaw slides should not need to be adjusted.
  - If you decide to adjust the jaw slide positions, obtain the correct measurements from your selling dealer.



### Canvas Care

- After each use, especially in saltwater, rinse the canvas with cold freshwater.
- **Before** stowing, let the canvas air-dry completely.
- The canvas can be rolled or folded for stowage.


### Cleaning the Canvas

 <b>CAUTION</b>
<b>NEVER use detergents when washing the canvas. Detergents can destroy the water repellency, and mildew/UV resistant finish of your canvas.</b>

Regularly clean the canvas to prevent dirt, pollen, and etc. from embedding in the fabric. Generally, it is easiest to wash the canvas while it is installed on your boat.

- Use a soft-bristled brush to remove all dust and loose dirt.
1. Hose down the canvas with freshwater.
  2. Gently wash the canvas with a solution of lukewarm water (no more than 100° F) and non-detergent mild soap, such as Ivory Snow®, Dreft®, or Woolite®.
  3. Rinse thoroughly to remove the soap.
  4. **Before** stowing, let the canvas dry completely.

### Stubborn Stains

 <b>CAUTION</b>
<ul style="list-style-type: none"><li>• <b>Soaking in bleach solutions may remove the waterproof finish of the fabric and may also decrease the life of the polyester thread used in the canvas.</b></li><li>• <b>If needed, a water repellent treatment should be reapplied to your canvas. Ask your dealer about the treatments available for your boat's canvas.</b></li></ul>

Some stubborn stains may resist normal washing and you can try the methods below. However, these methods may remove the waterproof finish of the fabric and may also decrease the life of the polyester thread used in the canvas. Reapply a water repellent treatment as needed.

#### Method 1

1. Add 1/8 cup (1 oz.) of **non-chlorine** bleach to one gallon of water and mix thoroughly.
2. Thoroughly wet the canvas and then gently scrub the stained area with the weak bleach solution.
3. Rinse with cold water to remove all of the solution.

#### Method 2

1. Add 1/2 cup (4 oz.) of **non-chlorine** bleach and 1/2 cup (4 oz.) Ivory Snow®, Dreft®, or Woolite® to one gallon of water and mix thoroughly.
2. Soak the canvas in this solution for about 20 minutes.
3. Rinse with cold water to remove all of the solution.

## Chapter 7: Entertainment System

---

### Audio Equipment

<b>NOTICE</b>
---------------

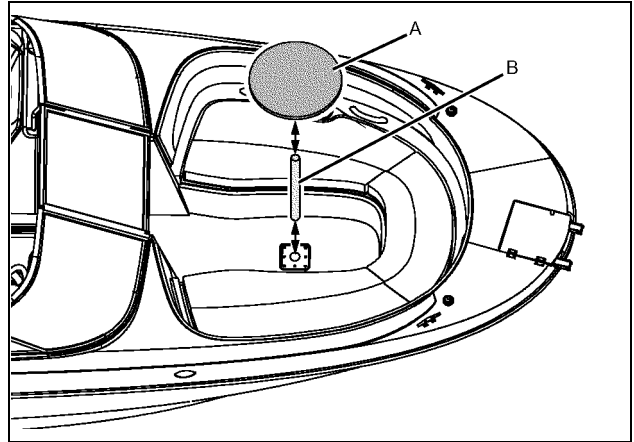
AM radio reception may be impaired anytime the engine is running.
---

Read the manufacturer's instruction manual *before* using the audio equipment.

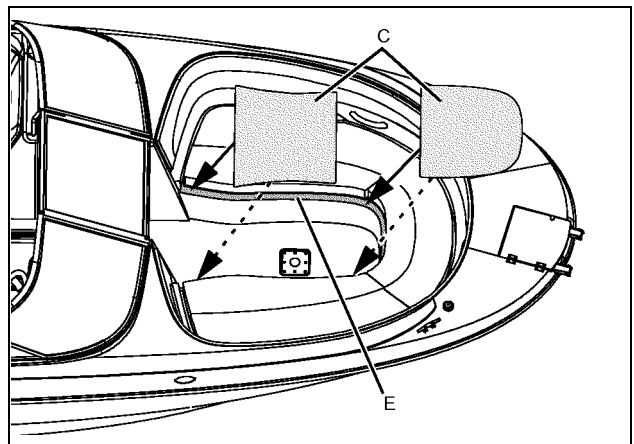
## Chapter 8: Convertible Seats, Beds, & Tables

### Sunlounge Conversion

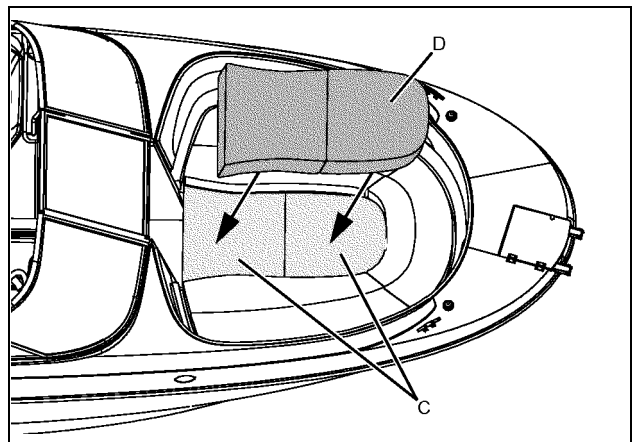
1. Remove the table (A) and the table leg (B).



2. Securely place the filler boards (C) into the recessed edge (E).



3. Securely place the filler cushions (E) on top of the filler boards (C).



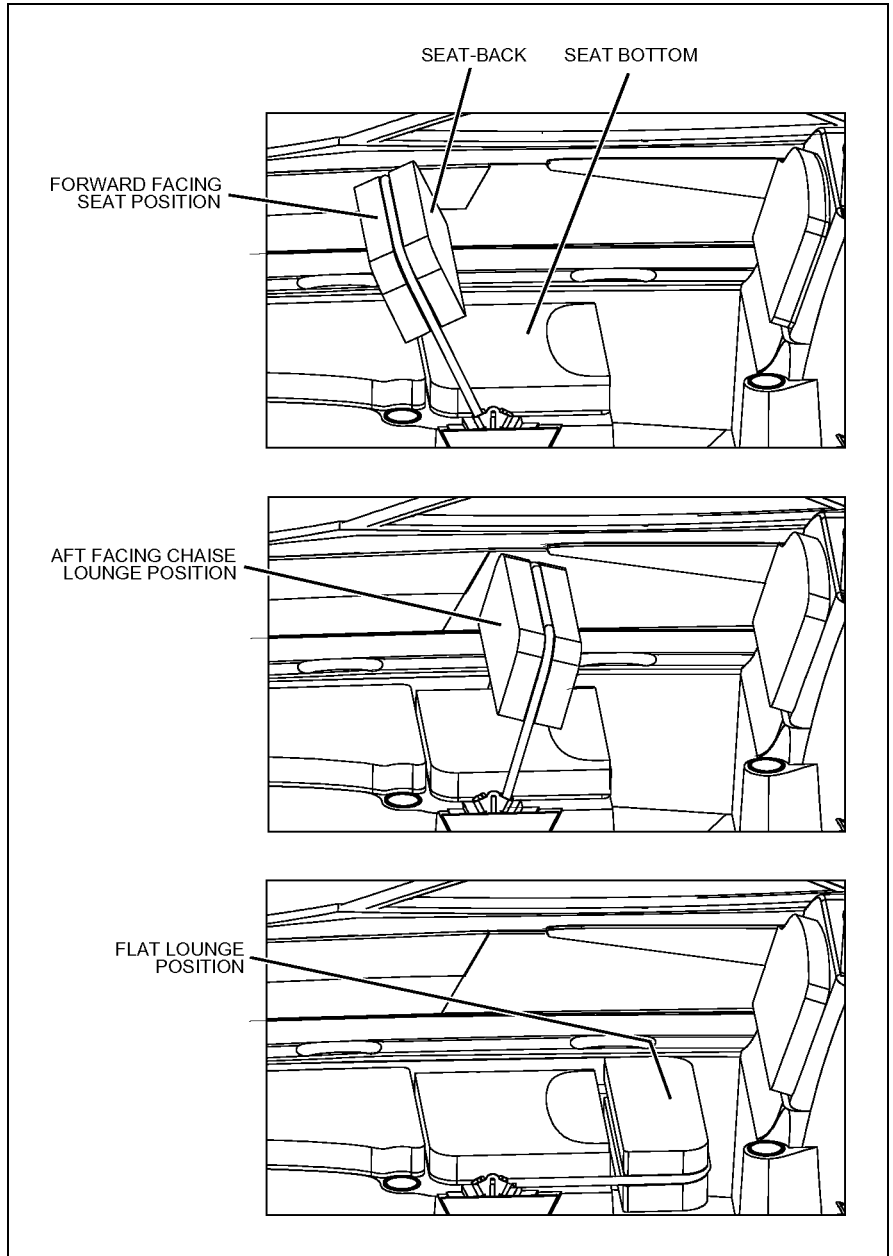
## Passenger Seat Conversion

### To convert the passenger seat into a chaise lounge:

Push the seat-back forward until it locks into position.

### To convert the passenger seat into a flat lounge:

Lift the seat-back straight up and push forward on it until it lays flat in front of the seat bottom.



## Chapter 9: Lights


---

### Care & Maintenance

All of the lights installed on your boat are of top quality, but you should be aware that failure may periodically occur for a variety of reasons:

1. There may be a blown fuse - *replace the fuse.*
2. The bulb may be burned out - *carry spare bulbs for replacement.*
3. A wire may be damaged or may have come loose - *repair as required.*
4. The bulb base may be corroded - *clean the base and coat it with non-conductive electrical lubricant.*

### Interior & Exterior Lights

 <b>CAUTION</b>
<ul style="list-style-type: none"> <li>• <b>Be conservative in the use of battery power.</b></li> <li>• <b>Prolonged use of cabin interior lights (overnight) <i>WILL</i> result in a drained battery.</b></li> </ul>

The lights are powered by your boat's 12-volt DC system.

### Navigation Lights

 <b>CAUTION</b>
<p><b>Avoid the storage of gear where it would block navigation lights from view.</b></p>

<b>NOTICE</b>
<p><b>Running lights are legally required to show boat direction and right-of-way at night.</b></p>

### Docking Lights (If Equipped)


Read the manufacturer's operating instructions *before* using the docking lights.



## Chapter 10: Electrical System

**⚠ DANGER!**

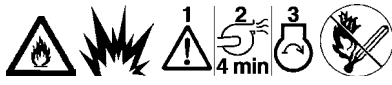
**EXTREME FIRE, SHOCK and EXPLOSION HAZARD!**



- To minimize the risks of fire and explosion, *NEVER* install knife switches or other arcing devices in the fuel compartment.
- *NEVER* substitute automotive parts for marine parts. Marine electrical, ignition, and fuel system parts were designed and manufactured to comply with rules and regulations that minimize risks of fire and explosion.
- Do *NOT* modify the electrical systems or relevant drawings.
- Have qualified personnel install batteries and/or perform electrical system maintenance.

**⚠ WARNING!**

**FIRE and EXPLOSION HAZARD!**




Fuel vapors can explode! *BEFORE* electrical system maintenance or activation of electrical devices:

1. Check the bilge areas for fuel vapors or leaking fuel. If you see leaking fuel or smell fuel vapors:
  - a. Do *NOT* start the engine, do *NOT* turn *On* any electrical devices, extinguish *ALL* cigarettes, cigars, and other sources of flame or ignition.
  - b. Get everyone off your boat.
  - c. Get trained help to find and fix the problem.
2. Run the bilge blower(s) for at least four minutes prior to engine starting, electrical system maintenance, or activation of electrical devices.

**⚠ CAUTION**

**SHOCK and ELECTRICAL SYSTEM DAMAGE HAZARD!**



When the engine is running, *NEVER* disconnect the battery cables. Doing so could cause damage to your boat's engine and/or electrical system.

**NOTICE**

Electrical connections are prone to corrosion. To reduce corrosion-caused electrical problems:

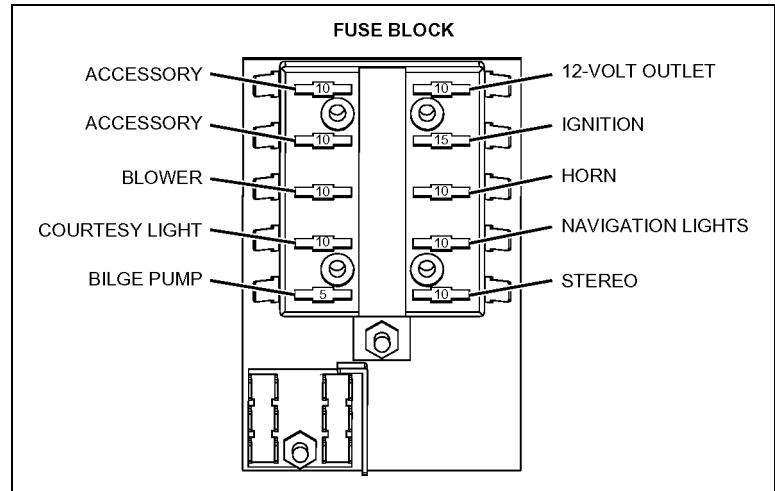
- Keep *ALL* electrical connections clean.
- Apply a spray-on protectant that is designed to protect connections from corrosion.

## Battery


- The battery supplies electricity for lights, 12-volt accessories and engine starting.
- The *Electrical* section of *Chapter 8* in the *Sport Boat Owner's Manual* provides battery care and maintenance instructions.

## Fuses

- Fuses for the accessories are on the fuse block. For the location of the fuse block, see the *Component Locations* section in *Chapter 2* of this *supplement*.
- Fuses for the engine control and gauges are on the engine. See the engine operation manual.
- Some equipment may have secondary fuse protection at the unit, or at the battery.



## 12-Volt DC Accessory Outlet

 **CAUTION**

**Do NOT use the 12-volt DC accessory outlet with a cigarette or cigar lighter. High temperatures may melt the outlet.**

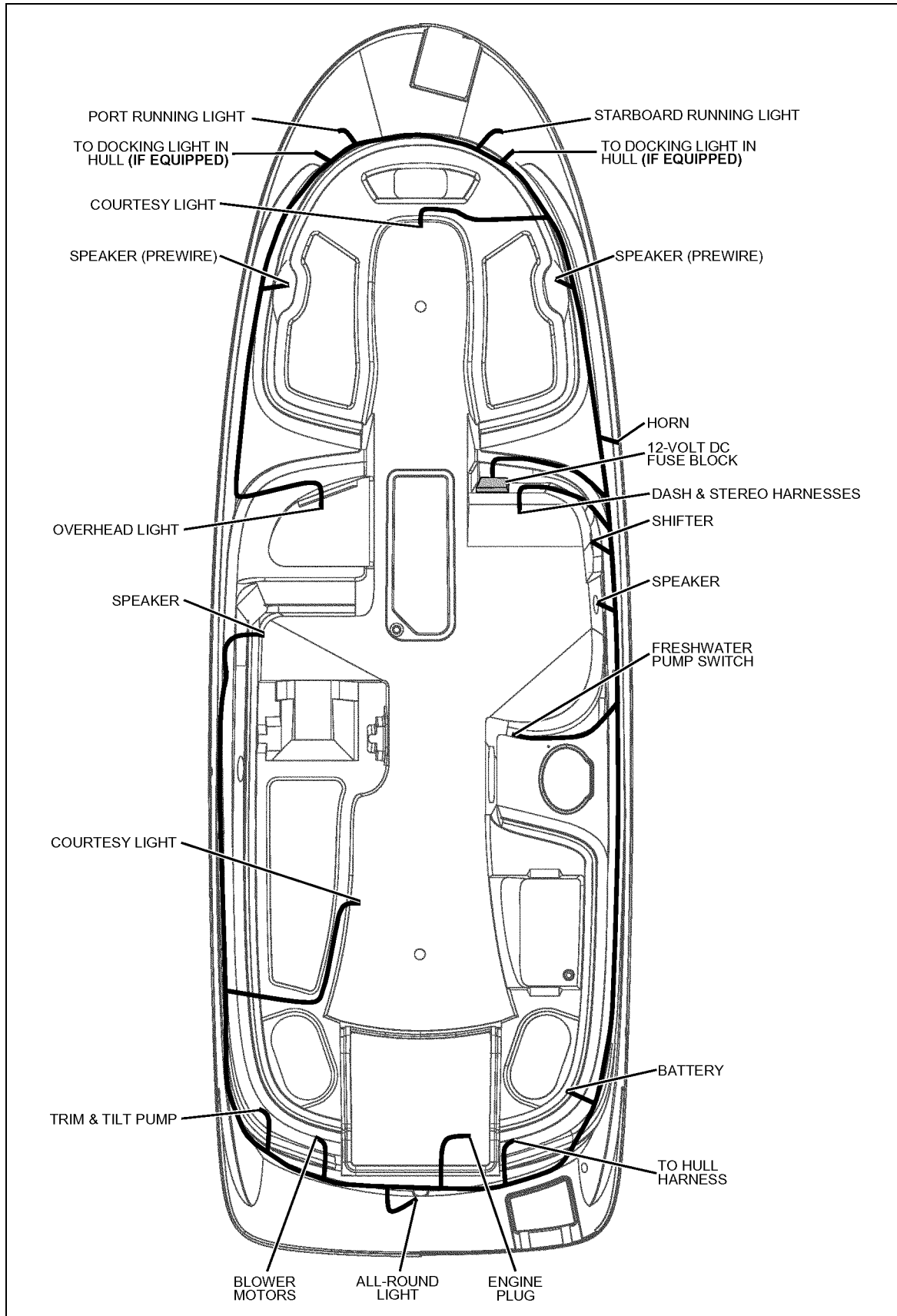
- The 12-volt DC accessory outlet can be used with any 12-volt device which draws 10-amps or less.
- The 12-volt DC accessory outlet is protected by a 10-amp fuse on the fuse block.
- For the location of the 12-volt DC accessory outlet, see the *Component Locations* section of *Chapter 2* of this *supplement*.

## Alternator

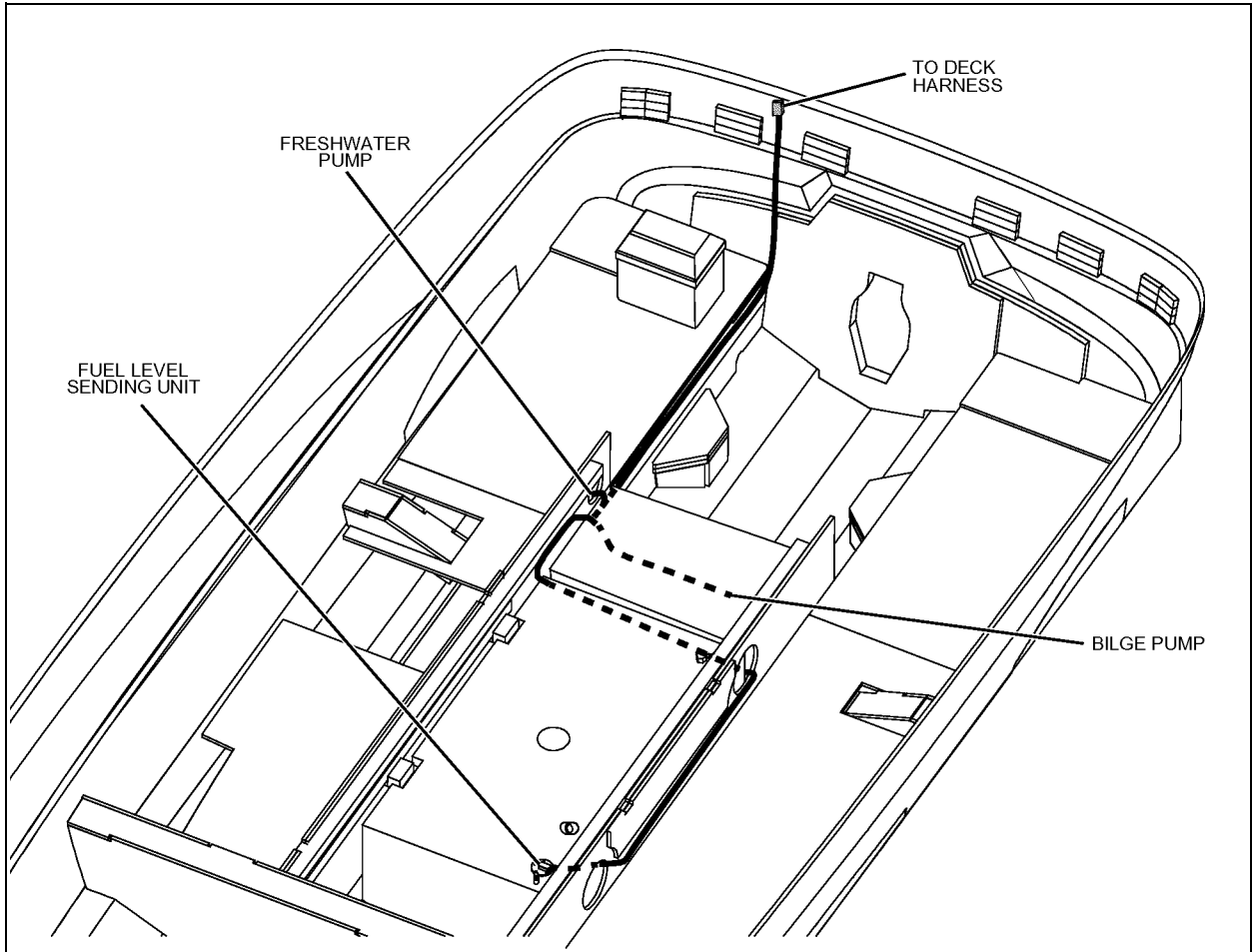
The alternator will keep the battery properly charged when the engine is running at, or above, cruising speeds.

# Electrical Routings

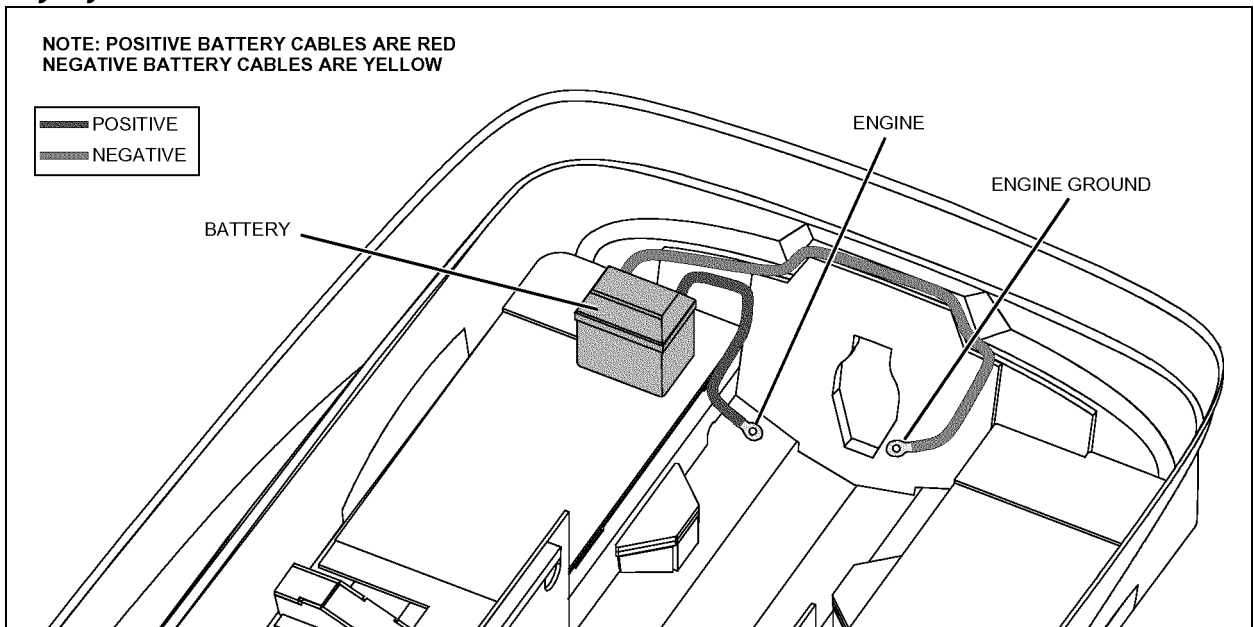
## Deck Electrical Harness



### Hull Electrical Harness



### Battery System



# Important Records

---

## Selling Dealer

\_\_\_\_\_  
Name Of Dealership

\_\_\_\_\_  
Address

\_\_\_\_\_  
Phone/FAX/E-mail

\_\_\_\_\_  
Sales Manager

\_\_\_\_\_  
Service Manager

## Engine

\_\_\_\_\_  
Manufacturer

\_\_\_\_\_  
Model Name/Number

\_\_\_\_\_  
Engine Serial Number

\_\_\_\_\_  
Oil Type/SAE

\_\_\_\_\_  
Quarts per Engine

\_\_\_\_\_  
Filter Type

## Propeller

\_\_\_\_\_  
Manufacturer

\_\_\_\_\_  
Pitch

\_\_\_\_\_  
Model Number

## Key Numbers

\_\_\_\_\_  
Ignition

\_\_\_\_\_  
Other

## Electronics

\_\_\_\_\_  
Manufacturer

\_\_\_\_\_  
Model Name/Number

\_\_\_\_\_  
Serial Number

\_\_\_\_\_  
Manufacturer

\_\_\_\_\_  
Model Name/Number

\_\_\_\_\_  
Serial Number

\_\_\_\_\_  
Manufacturer

\_\_\_\_\_  
Model Name/Number

\_\_\_\_\_  
Serial Number

\_\_\_\_\_  
Manufacturer

\_\_\_\_\_  
Model Name/Number

\_\_\_\_\_  
Serial Number

# Float Plan

Before going boating, fill out a copy of this float plan (or similar) and leave it with a **reliable** person whom you can depend on to contact the Coast Guard or other rescue organization, if you do not return as scheduled.

## Description of Boat

_____		
Registration/Documentation Number		
_____	_____	_____
Length	Make	Type
_____		
_____		_____
Hull Color		Trim Color
_____	_____	_____
Fuel Capacity	Engine Type	Number of Engines
_____		
Distinguishing Features		
_____		
Distinguishing Features		

_____		
Full Name		
_____	_____	_____
Age	Health	Phone Number
_____		
Full Name		
_____	_____	_____
Age	Health	Phone Number
_____		
Full Name		
_____	_____	_____
Age	Health	Phone Number

## Operator of Boat

_____		
Full Name		
_____	_____	_____
Male or Female	Age	Health
_____		
Address		
_____		
Address		
_____		
Phone/FAX/E-mail		
_____		
Operator's Experience		

_____		
Full Name		
_____	_____	_____
Age	Health	Phone Number
_____		
Full Name		
_____	_____	_____
Age	Health	Phone Number
_____		
Full Name		
_____	_____	_____
Age	Health	Phone Number

## Persons Onboard

_____		
Full Name		
_____	_____	_____
Age	Health	Phone Number
_____		
Full Name		
_____	_____	_____
Age	Health	Phone Number

_____		
Full Name		
_____	_____	_____
Age	Health	Phone Number
_____		
Full Name		
_____	_____	_____
Age	Health	Phone Number

## Survival Equipment

Marine Radio (Yes/No)	Type	Frequencies
Number of PFDs	Flares (Yes/No)	Mirror (Yes/No)
Smoke Signals (Yes/No)	Flashlight (Yes/No)	Food (Yes/No)
Water (Yes/No)	Anchor (Yes/No)	Raft/Dinghy (Yes/No)
Paddles (Yes/No)	EPIRB (Yes/No)	Other
Other	Other	Other

## Vehicle Description

Make	Model
Color	License Number
Where is the Vehicle Parked?	

## Trip Expectations

Departing From	
Departure Date	Departure Time
Stopover 1	
Arrive No Later Than: Date	Arrive No Later Than: Time
Stopover 2	
Arrive No Later Than: Date	Arrive No Later Than: Time
Stopover 3	
Arrive No Later Than: Date	Arrive No Later Than: Time
Stopover 4	
Arrive No Later Than: Date	Arrive No Later Than: Time
Stopover 5	
Arrive No Later Than: Date	Arrive No Later Than: Time
Stopover 6	
Arrive No Later Than: Date	Arrive No Later Than: Time
Final Destination Port (If Different Than Home Port)	
Arrive No Later Than: Date	Arrive No Later Than: Time

**If not returned by the date and time listed above, call the Coast Guard or other local authority.**

Coast Guard Phone Number
Local Authority Phone Number











**Part Number 1894298**

**Bayliner • P.O. Box 9029 • Everett, WA 98206 • 360-435-5571**