

BAYLINER®

Classic Runabouts

Owner's Manual *Supplement*

Engine Serial Number: _____

Hull Identification Number: _____

Hull Identification Number

The Hull Identification Number (HIN) is located on the starboard side of the transom. Be sure to record the HIN (and the engine serial numbers) in the space provided above. Please refer to the HIN for any correspondence or orders.



© 2002 Bayliner Technical Publications. All rights reserved.

No part of this publication may be reproduced, stored in any retrieval system, or transmitted in any form by any means, electronic, mechanical, photocopying, recording or otherwise, without prior written permission of Bayliner.
Printed in the United States of America.

General Notes

The material in this document is for information only and is subject to change without notice. While reasonable efforts have been made in the preparation of this document to assure its accuracy, Bayliner assumes no liability resulting from errors or omissions in this document, or from the use of information contained herein. Due to our commitment to product improvement, Bayliner reserves the right to make changes in the product design, specifications, and equipment at any time without notice or obligation. Illustrations and/or photos may show optional equipment.

All Bayliner products meet or exceed USCG (United States Coast Guard) and/or NMMA (National Marine Manufacturer's Association) construction standards. Manufactured with 1,1,1 Trichloroethane, a substance which harms public health and environment during the manufacturing process by destroying ozone in the upper atmosphere.

Proprietary Rights

This document discloses subject matter in which Bayliner has proprietary rights. The information and design disclosed herein were originated by and are the property of Bayliner. Neither receipt nor possession thereof confers or transfers any right to reproduce, copy, alter or disclose the document or any part thereof, any information contained therein, or to construct boats or any item from it, except by written permission from or written agreement with Bayliner. This document is to be returned upon request to Bayliner.

CONTENTS

Chapter 1: Welcome Aboard!

- 1 Dealer Service
- 1 About Your Limited Warranty
- 1 Boating Experience
- 2 Safety Standards
- 2 Engine & Accessories Guidelines
- 2 Engine & Accessories Literature
- 3 Qualified Maintenance
- 3 Special Care For Moored Boats
- 4 Carbon Monoxide (CO)
 - 5 Sources of CO
 - 5 What if Carbon Monoxide is Detected or Suspected?
- 5 Carbon Monoxide Alarm System (If Equipped)

Chapter 2: Product Specifications

- 6 1950
- 6 1952
- 7 1954
- 7 2150
- 8 2152

Chapter 3: Locations

- 9 Exterior Views
 - 9 Hull Views
 - 9 1950, 1952 & 1954
 - 10 2150 & 2152
 - 11 1950 Deck View
 - 12 1952 Deck View
 - 13 1954 Deck View
 - 14 2150 Deck View
 - 15 2152 Deck View
- 16 Component Locations

Chapter 4: Propulsion & Related Systems

- 17 Engine
- 17 Engine Room Ventilation System
- 18 Fuel System
 - 18 Fuel Fill and Vent
 - 18 Fuel Filters
 - 18 Anti-siphon Valve
- 19 Quick Oil Drain System

Chapter 5: Controls

- 20 Steering
- 20 Shift/Throttle Lever
- 20 Power Trim and Tilt

Chapter 6: Plumbing

- 21 Drain Systems
 - 21 Deck Drains
- 21 Bilge Pump
- 23 Seawater System (If Equipped)
 - 23 Seacock
- 23 Portable Toilet (If Equipped)
- 24 Livewell/Baitwell System (1954 Only)

Chapter 7: Deck Equipment

- 25 Cleats and Tow Eyes
- 25 Ski Tow Ring
- 25 Pre-rigging For Trolling Motor (1954 Only)
- 26 Canvas (If Equipped)
 - 26 1950 & 1952 Canvas Top (If Equipped)
 - 27 1954 Canvas Top (If Equipped)
 - 28 2150 & 2152 Canvas Top (If Equipped)
 - 29 1950 & 1954 Bimini Top (If Equipped)
 - 30 2150 Bimini Top (If Equipped)

Chapter 8: Entertainment Systems

31 Audio System

Chapter 9: Convertible Seats, Beds, & Tables

32 Sleeper Seats (If Equipped)

32 *Operating Positions*

32 *Lounge positions*

33 Jump Seat To Sunlounge Conversion

34 Removable Fishing Seats (1954 Only)

Chapter 10: Lights

35 Care and Maintenance

35 Navigation Lights

Chapter 11: Electrical System

37 12-Volt DC System

37 *Battery*

37 *Fuses and Circuit Breakers*

37 *Alternator*

37 *12-Volt Accessory Outlet*

38 Electrical Routings

38 *1950 Deck Electrical Harness*

39 *1952 Deck Electrical Harness*

40 *1954 Deck Electrical Harness*

41 *2150 Deck Electrical Harness*

41 *2152 Deck Electrical Harness*

42 *1950, 1952 & 1954 Hull Electrical Harness*

42 *2150 & 2152 Hull Electrical Harness*

43 *2150 & 2152 Battery Cable Harness*


44 Wiring Diagram

Hazard Boxes & Symbols








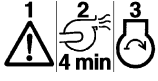
The hazard boxes and symbols shown below are used throughout this supplement to call attention to potentially dangerous situations which could lead to either personal injury or product damage. **Read ALL warnings carefully and follow all safety instructions.**

 DANGER!
This box alerts you to immediate hazards which WILL cause severe personal injury or death if the warning is ignored.

 WARNING!
This box alerts you to hazards or unsafe practices which COULD result in severe personal injury or death if the warning is ignored.

 CAUTION!
This box alerts you to hazards or unsafe practices which COULD result in minor personal injury or cause product or property damage if the warning is ignored.

NOTICE
This box calls attention to installation, operation or maintenance information, which is important to proper operation but is not hazard related.

 FIRE HAZARD!	 EXPLOSION HAZARD!	 ELECTRICAL HAZARD!	 HOT HAZARD!
 CO POISONING HAZARD!	 FALLING HAZARD!	 ROTATING PROPELLER HAZARD!	
 NO OPEN FLAME!	 RUN BILGE BLOWERS FOR 4 MINUTES!		

Chapter 1: Welcome Aboard!

This *Owner's Manual Supplement* provides specific information about your boat that is not covered in the *Sport Boat Owner's Manual*. Please study the *Sport Boat Owner's Manual* and this supplement carefully. Keep the *Sport Boat Owner's Manual* and this supplement on your boat in a secure, yet readily available place.

Dealer Service

- Ask your dealer to explain all systems before taking delivery of your boat.
- Your dealer is your key to service.
- Contact your dealer if you have any problems with your new boat.
- If your dealer cannot help, call our customer service hotline: 360-435-8957 or send us a FAX: 360-403-4235.
- Buy replacement parts from any authorized Bayliner dealer.

About Your Limited Warranty

- Bayliner offers a Limited Warranty on each new Bayliner purchased through an authorized Bayliner dealer.
- A copy of the Limited Warranty was included in your owner's packet.
- If you did not receive a copy of the Limited Warranty, please contact your dealer or call 360-435-8957 for a copy.

Boating Experience

 **WARNING!**

CONTROL HAZARD! A qualified operator must be in control of the boat at all times. DO NOT operate your boat while under the influence of alcohol or drugs.

If this is your first boat or if you are changing to a type of boat you are not familiar with, for your own comfort and safety, obtain handling and operating experience before assuming command of the boat.

Take one of the boating safety classes offered by the U.S. Power Squadrons or the U.S. Coast Guard Auxiliary. For more course information, including dates and locations of upcoming classes, contact the organizations directly:

- U.S. Power Squadrons: 1-888-FOR-USPS (1-888-367-8777) or on the Internet at: <http://www.usps.org>
- U.S. Coast Guard Auxiliary: 1-800-368-5647 or on the Internet at: <http://www.cgaux.org>

Outside the United States, your selling dealer, national sailing federation or local boat club can advise you of local sea schools or competent instructors.

Safety Standards

⚠ DANGER!	
	PERSONAL SAFETY HAZARD! DO NOT allow anyone to ride on parts of the boat not designated for such use. Sitting on seat backs, lounging on the forward deck, bow riding, gunwale riding or occupying the transom platform while underway is especially hazardous and will cause personal injury or death.

⚠ DANGER!	
PERSONAL SAFETY HAZARD! ALWAYS secure the anchor and other loose objects before getting underway. The anchor and other items that are not properly secured can come loose when the boat is moving and cause personal injury or death.	

- Your boat's mechanical and electrical systems were designed to meet safety standards in effect at the time it was built.
- Some of these standards were mandated by law, all of them were designed to insure your safety, and the safety of other people, vessels and property.

In addition to this **owner's manual supplement**, please read the *Sport Boat Owner's Manual* and all accessory instructions for important safety standards and hazard information.

Engine & Accessories Guidelines

NOTICE
When storing your boat please refer to your engine's operation and maintenance manuals.

- Your boat's engine and accessories were selected to provide optimum performance and service.
- Installing a different engine or other accessories may cause unwanted handling characteristics.
- Should you choose to install a different engine or to add accessories that will affect the boat's running trim, have an experienced marine technician perform a safety inspection and handling test before operating your boat again.

Certain modifications to your boat can result in cancellation of your warranty protection. Always check with your dealer before making any modifications to your boat.

Engine & Accessories Literature

- The engine and accessories installed on your boat come with their own operation and maintenance manuals.
- Read and understand these manuals before using the engine and accessories.
- Unless noted otherwise, all engine and accessory literature referred to in this supplement is included in your owner's packet.

Qualified Maintenance



WARNING!

To maintain the integrity and safety of your boat, allow only qualified personnel to perform maintenance on, or in any way modify: The steering system, propulsion system, engine control system, fuel system, environmental control system, electrical system or navigational system.

- Failure to maintain your boat's systems (listed in the warning above) as designed could violate the laws in your jurisdiction and could expose you and other people to the danger of bodily injury or accidental death.
- Follow the instructions provided in the *Sport Boat Owner's Manual*, this *Owner's Manual Supplement*, the engine owner's manual and all accessory instruction sheets and manuals.


Special Care For Moored Boats


NOTICE

- **To help seal the hull bottom and reduce the possibility of gelcoat blistering on moored boats, apply an epoxy barrier coating, such as INTERLUX, *Interprotect 2000E/2001E*. The barrier coating should be covered with several coats of anti-fouling paint.**
- **Many states regulate the chemical content of bottom paints in order to meet environmental standards. Check with your local dealer about recommended bottom paints, and about the laws in effect in your area.**

- Whether moored in saltwater or freshwater, your boat will collect marine growth on its hull bottom.
- This will detract from the boat's beauty, greatly affect its performance and may damage the gelcoat.
- Periodically haul the boat out of the water and scrub the hull bottom with a bristle brush and a solution of soap and water.

Carbon Monoxide (CO)

 **DANGER!**



CARBON MONOXIDE POISONING HAZARD!

Carbon monoxide gas (CO) is colorless, odorless, and extremely dangerous. All engines, generators, and fuel burning appliances produce CO as exhaust. Direct and prolonged exposure to CO will cause BRAIN DAMAGE or DEATH.

Signs of CO poisoning include:

- **Headache**
- **Nausea**
- **Dizziness**
- **Drowsiness**

- CO poisoning causes a significant number of boating deaths each year.
- Called the "silent killer", CO is an extremely toxic, colorless, odorless and tasteless gas.
- Breathing CO blocks the ability of your blood to carry oxygen.
- The effects are cumulative, even low levels of exposure can result in injury or death.

Factors increasing the effects of CO poisoning include:

- Age
- Smokers or people exposed to high concentrations of cigarette smoke
- Consumption of alcohol
- Lung disorders
- Heart problems
- Pregnancy

Sources of CO

To correct stationary situations a and/or b:

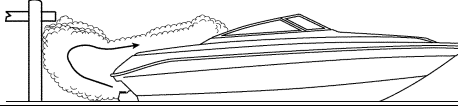
- Close all windows, portlights and hatches.
- If possible, move your boat away from source of CO.

To correct running situations c and/or d:

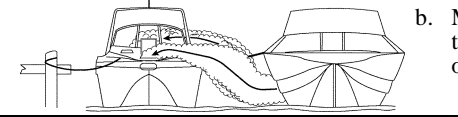
- Trim bow down.
- Open windows and canvas.
- When possible, run boat so that prevailing winds help dissipate exhaust.

IMMEDIATELY take corrective action if CO is detected or suspected.

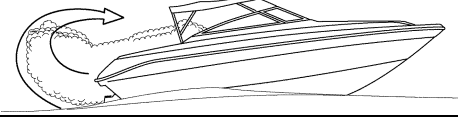
Sources of CO include:



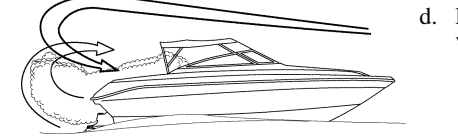
a. Using engine, generator, or other fuel burning device when boat is moored in a confined space.



b. Mooring too close to another boat that is using its engine, generator, or other fuel burning device.



c. Running boat with trim angle of bow too high.



d. Running boat without through ventilation (station wagon effect).

What if Carbon Monoxide is Detected or Suspected?

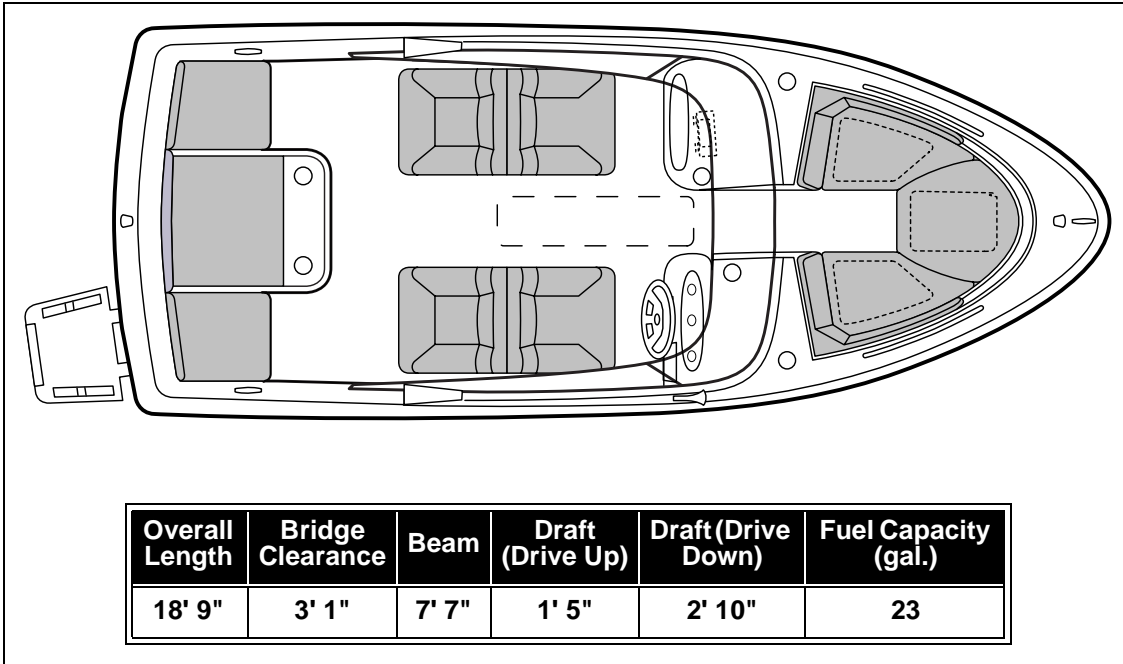
- Immediately ventilate and evacuate any enclosed spaces that are occupied by people and reset your CO alarm.
- Immediately move anyone showing any symptoms of CO poisoning into fresh air.
- See a doctor if any symptoms persist. If the person is unconscious, immediately administer oxygen or CPR and call for emergency help.

Carbon Monoxide Alarm System (If Equipped)

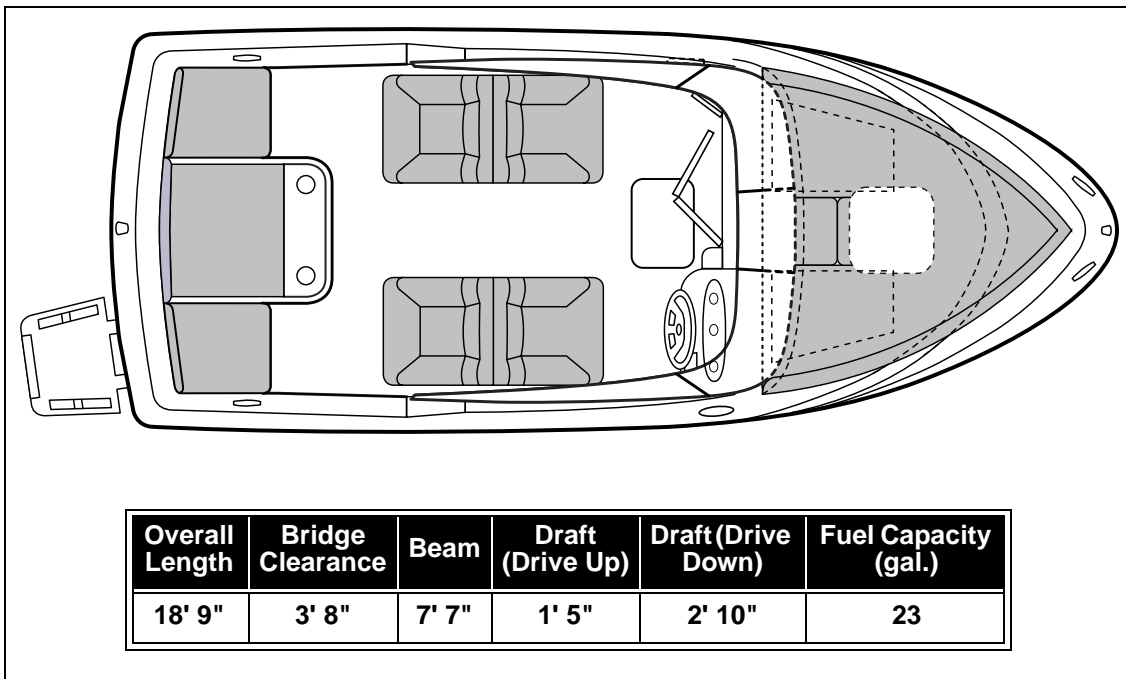
- Your boat may feature a carbon monoxide (CO) alarm system.
- **Do not disconnect the alarm system.**
- Read and understand the manufacturer's instructions for your CO alarm system. If you did not receive an instruction manual, call (800) 383-0269 and one will be mailed to you.
- If your boat is not equipped with a carbon monoxide alarm, consider purchasing one from your dealer or marine supply store.

Chapter 2: Product Specifications

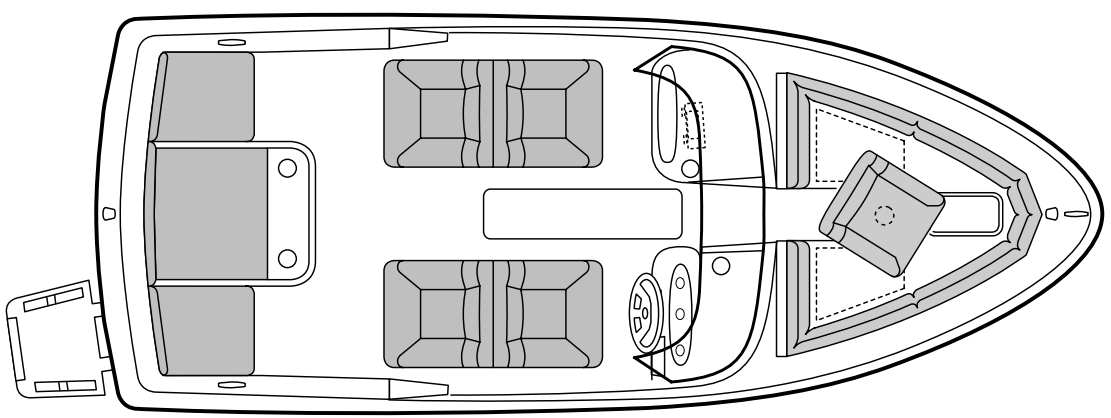
1950



1952

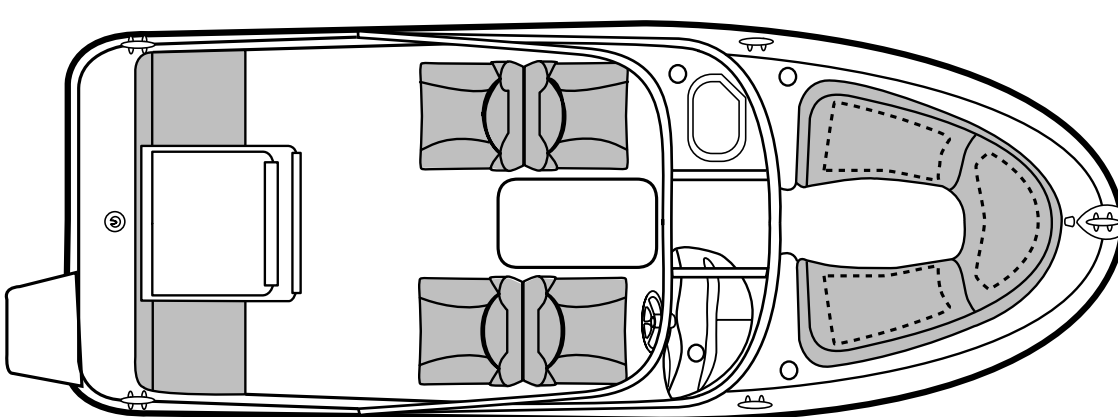


1954



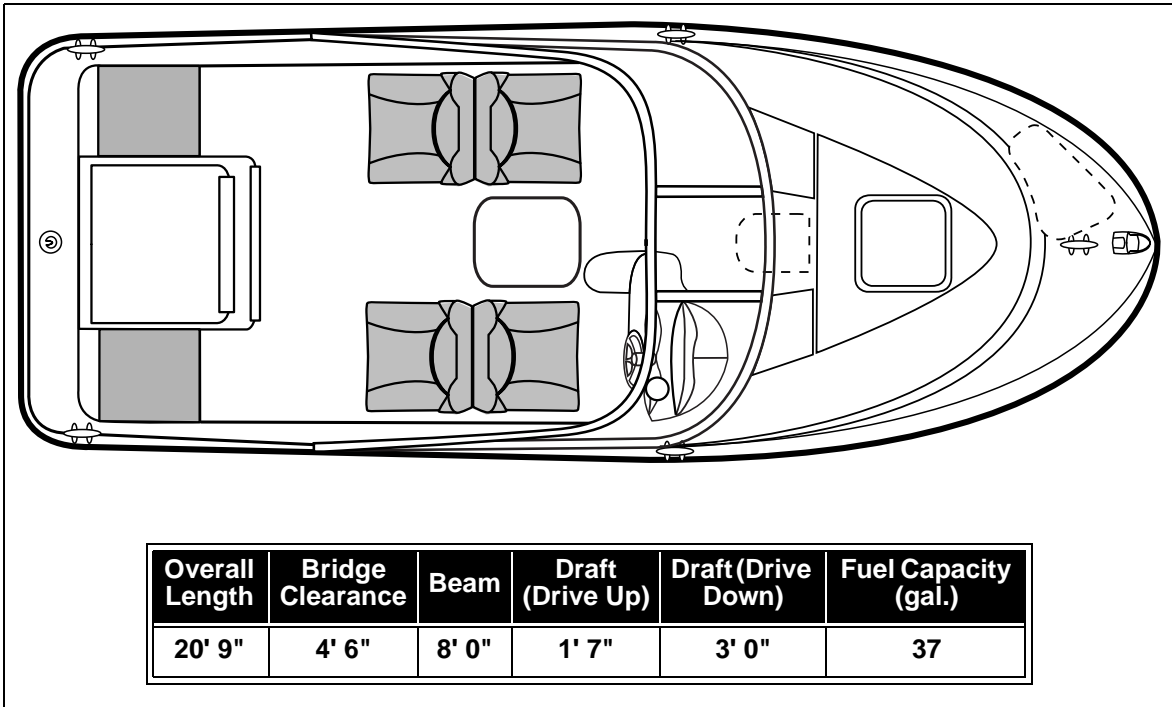
Overall Length	Bridge Clearance	Beam	Draft (Drive Up)	Draft (Drive Down)	Fuel Capacity (gal.)
18' 9"	3' 1"	7' 7"	1' 5"	2' 10"	23

2150



Overall Length	Bridge Clearance	Beam	Draft (Drive Up)	Draft (Drive Down)	Fuel Capacity (gal.)
20' 9"	4' 3"	8' 1"	1' 6"	2' 11"	37

2152

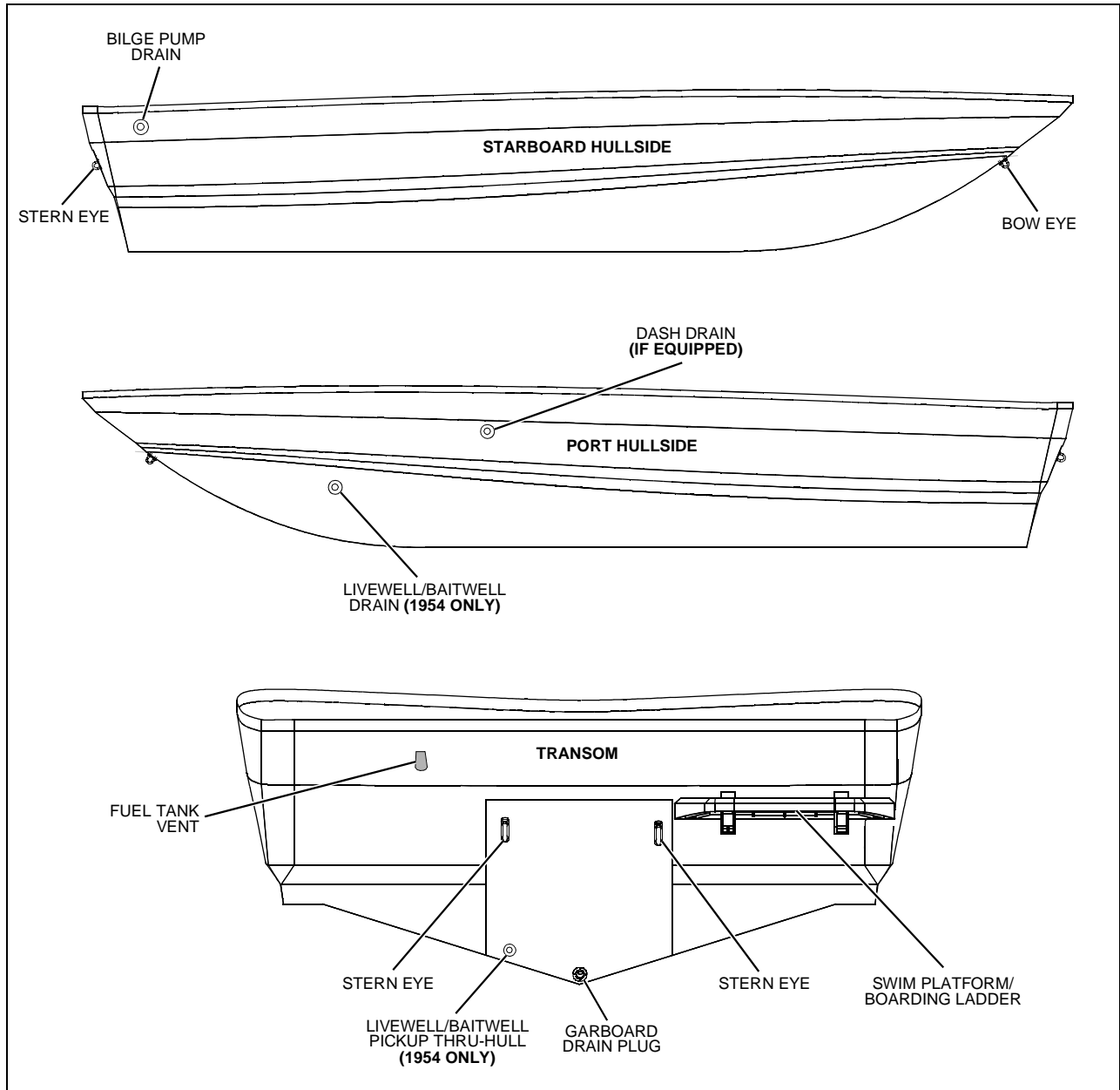


Chapter 3: Locations

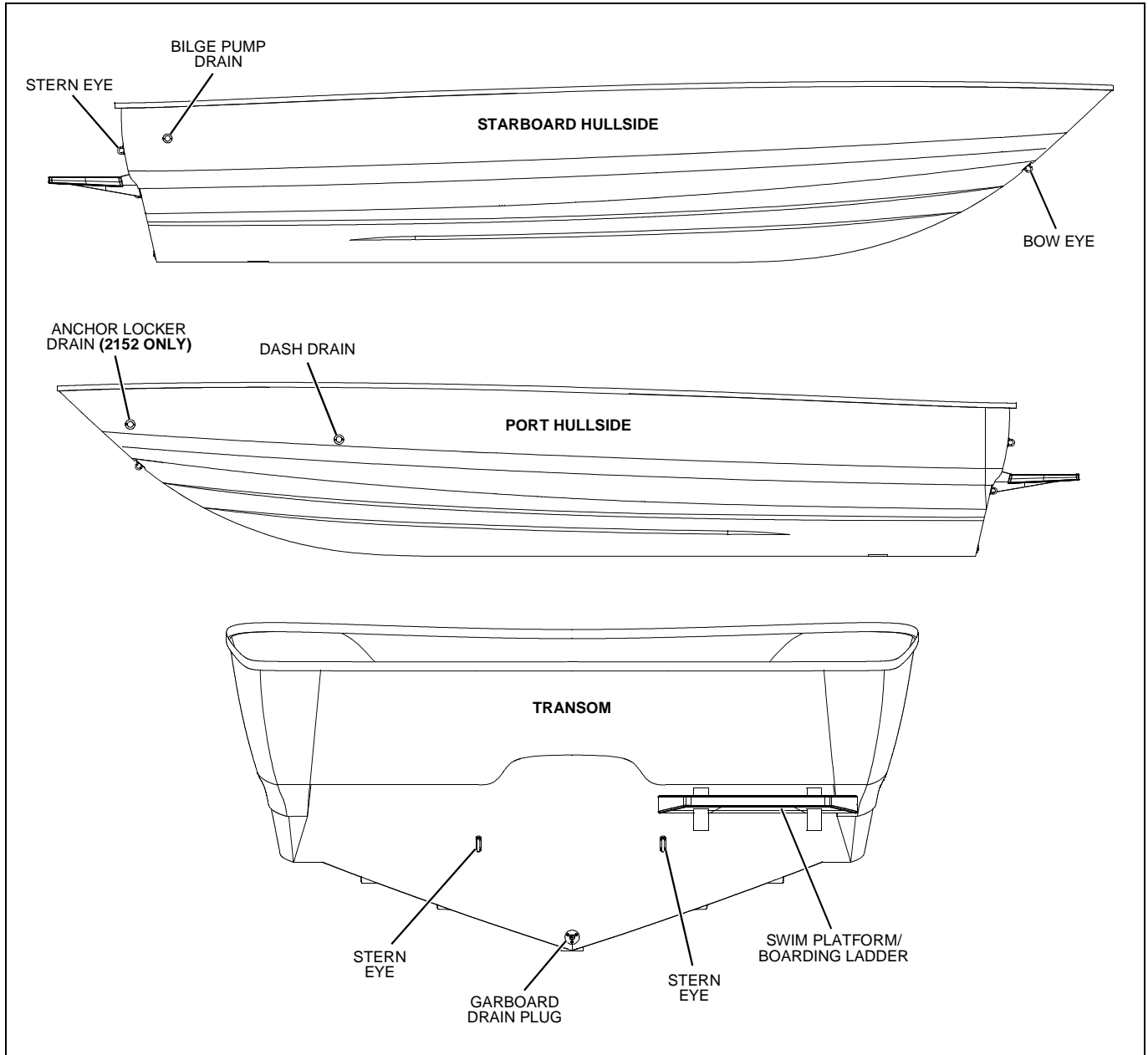
Exterior Views

Hull Views

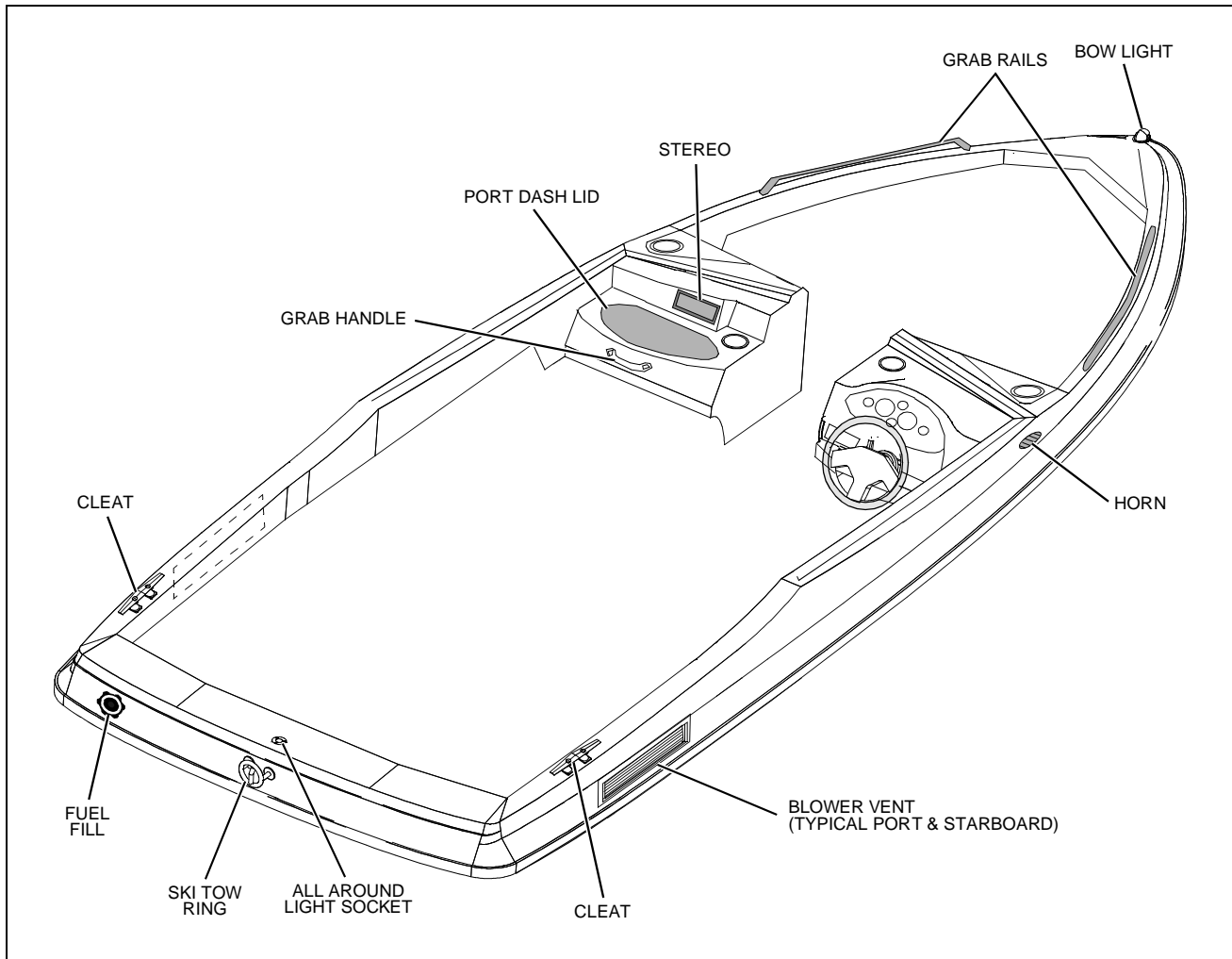
1950, 1952 & 1954



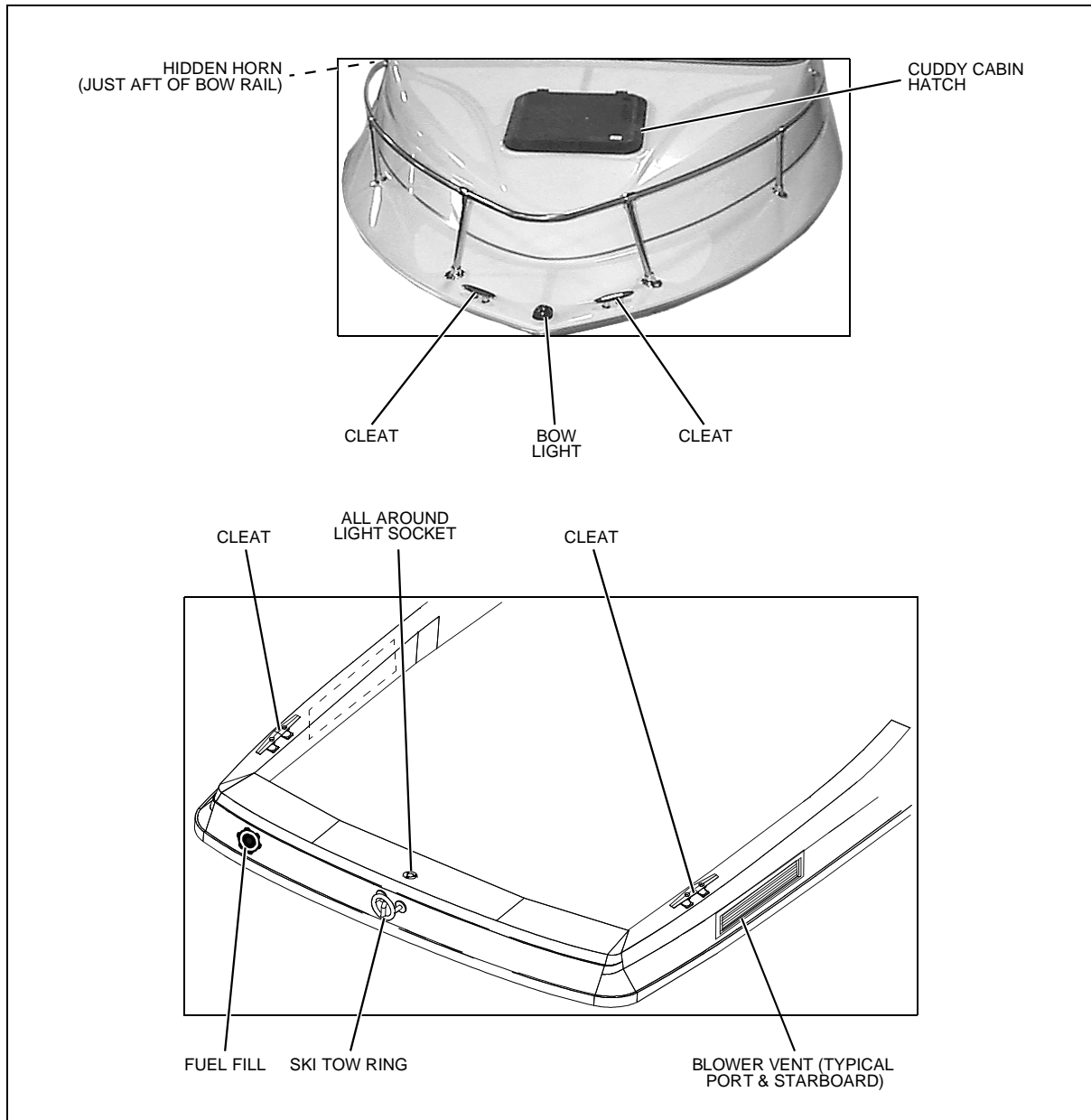
2150 & 2152



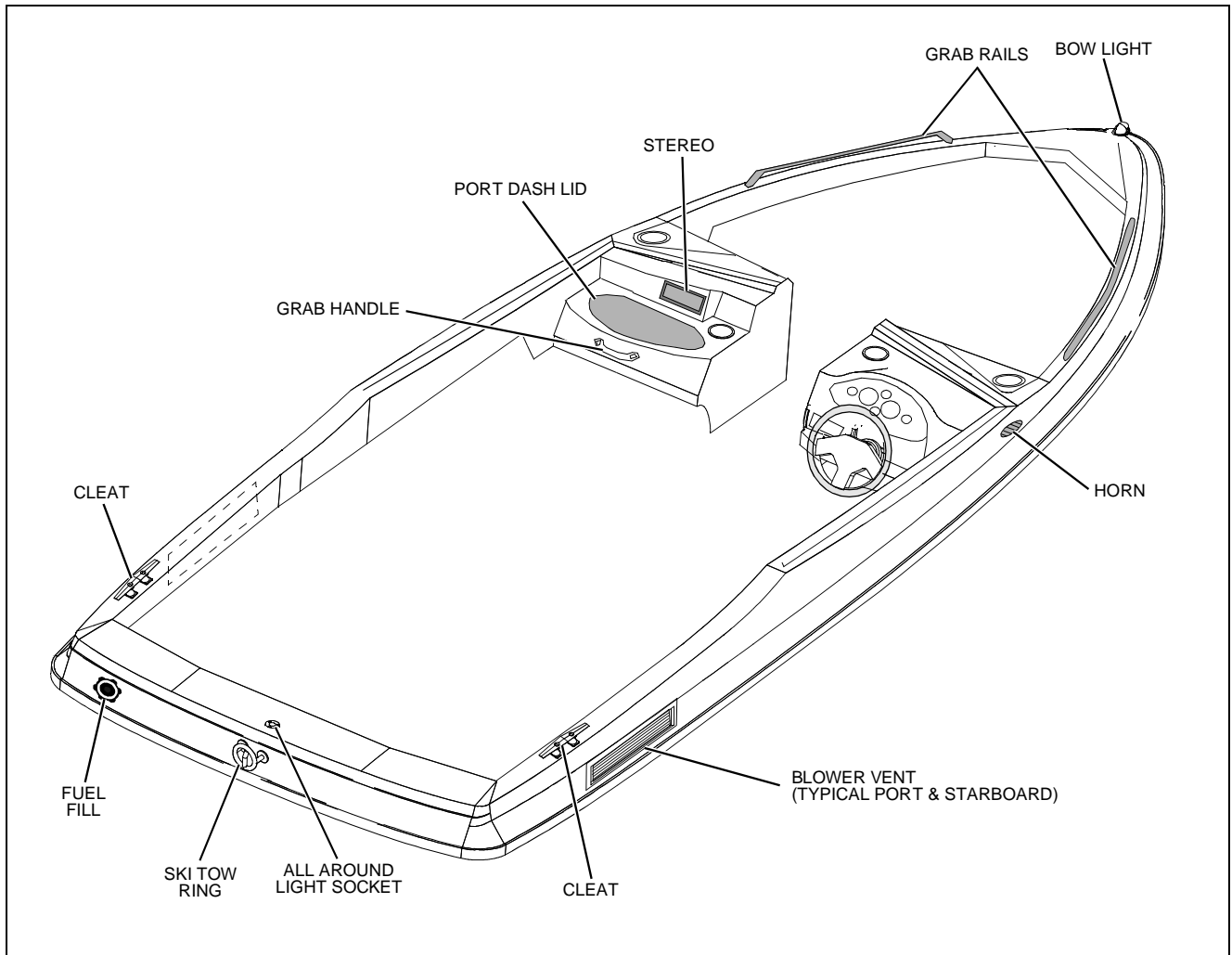
1950 Deck View



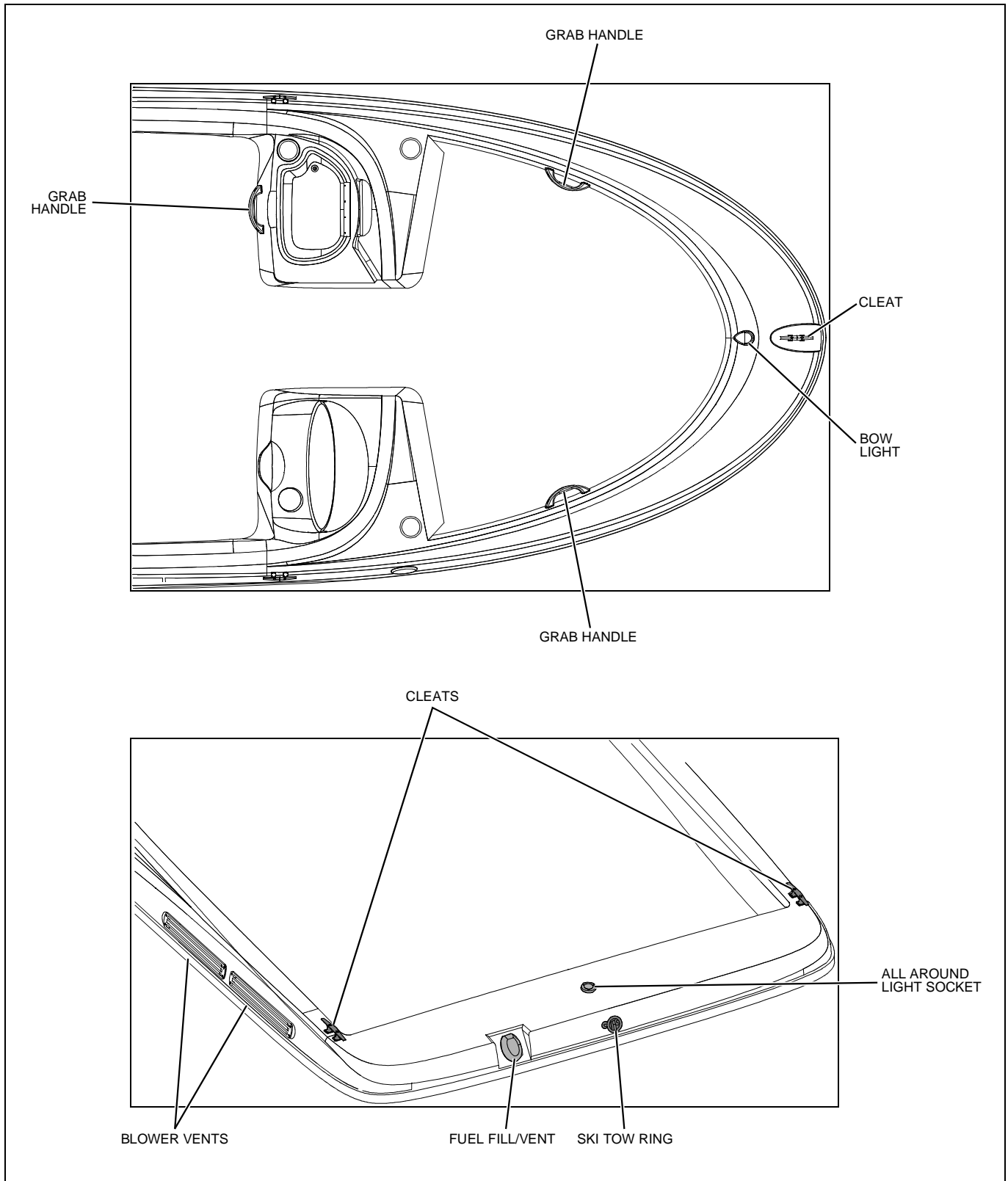
1952 Deck View



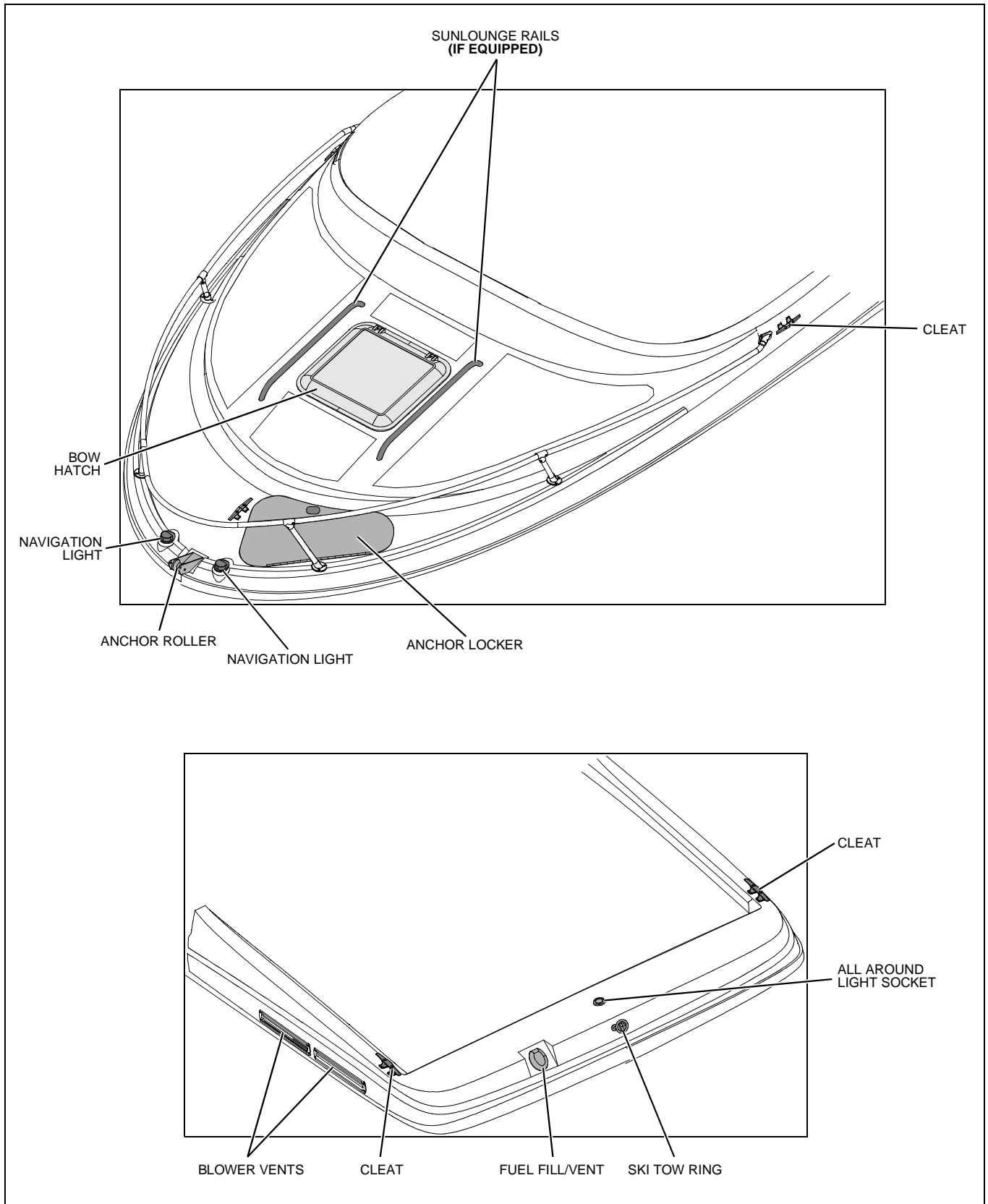
1954 Deck View



2150 Deck View



2152 Deck View



Component Locations

12-Volt Accessory Outlet: At the helm on the dash panel.

Battery: On the starboard side of the engine compartment

Bilge Pump: In the engine compartment, forward of the engine.

Engine Circuit Breaker: On the engine.

Fuse Block: At the helm, under the dash panel.

Fuel Fill: On the port side of the aft deck.

Navigation Lights: Red and green lights at the bow. White all-around light on the stern.


Chapter 4: Propulsion & Related Systems

Engine

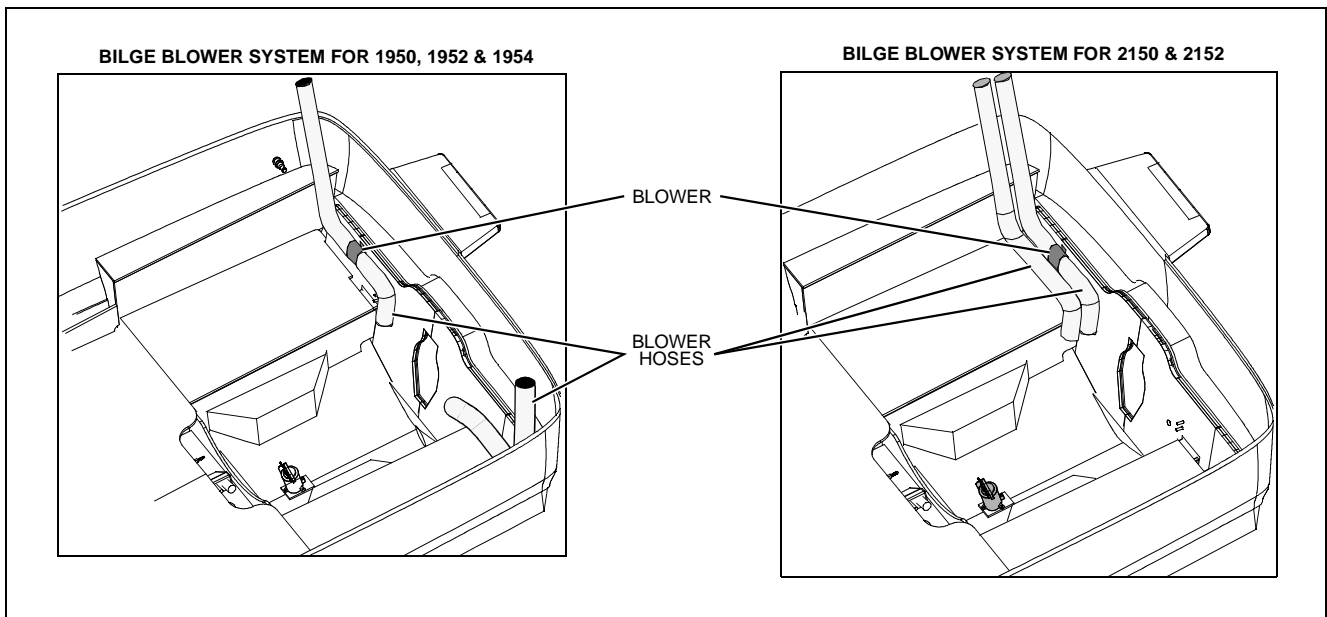
Read and understand the engine operation and maintenance manual before starting the engine or doing any maintenance on the engine.

Engine Room Ventilation System

! WARNING!

**FIRE/EXPLOSION HAZARD**

- Use of the blower system is **NOT A GUARANTEE** that explosive fumes have been removed.
- If you smell fuel, **DO NOT** start the engine and **DO NOT** turn on any electrical devices.
- If you smell fuel and the engine is already running, **SHUT OFF** the engine and **TURN OFF** all electrical devices. Investigate immediately.
- **DO NOT** obstruct or modify the ventilation system.




- The bilge blower removes explosive fuel fumes from the engine compartment.
- Fresh air is drawn into the compartment through the deck vents.
- The bilge blower switch is at the helm.

To make sure the engine compartment is ventilated with fresh air, run the bilge blower:

- For at least four minutes before starting the engine.
- During starting.
- Anytime your boat is running below cruising speed.

Fuel System

WARNING!



FIRE, EXPLOSION AND OPEN FLAME HAZARD!

- It is very important that the fuel system be inspected thoroughly the first time it is filled and at each subsequent filling.
- The fueling instructions in the *Sport Boat Owner's Manual* and the fuel recommendations in the *engine operation manual* must be followed.

CAUTION

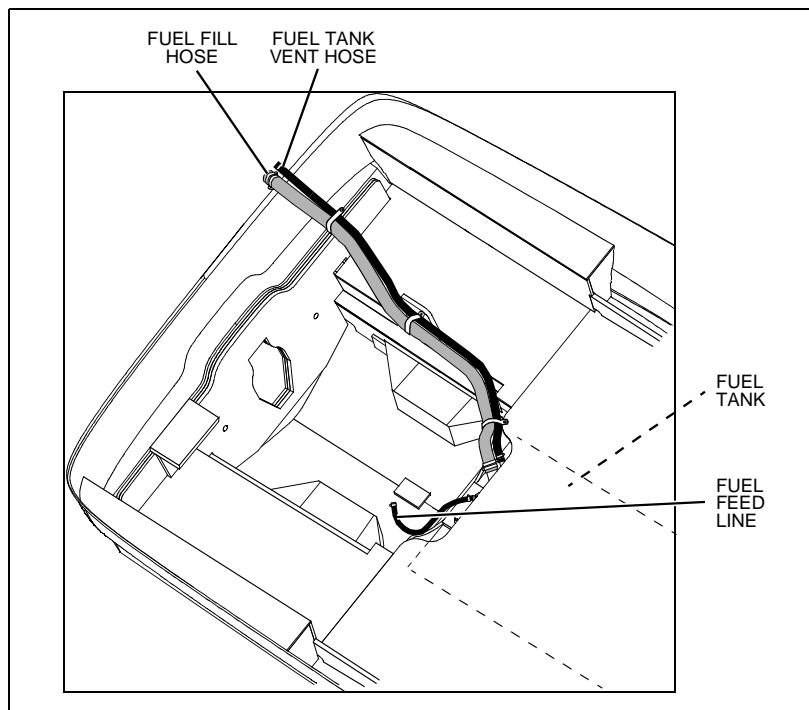
Avoid the storage or handling of gear near the fuel lines, fittings and tank.

Fuel Fill and Vent

- The fuel fill/vent fitting is marked "GAS".
- If you experience difficulty filling the fuel tank, check to see that the fuel fill hose and vent hose are free of clogs and kinks.

Fuel Filters

- The fuel pickup tube (located inside the fuel tank) is equipped with a fine mesh screen filter.
- In addition, when supplied by the engine manufacturer, a fuel filter is installed on the engine.
- Periodically replace the fuel filters to make sure they remain clean and free of debris.
- Talk to your selling dealer or local marina about fuel additives that help prevent fungus or other buildup in your fuel tank.



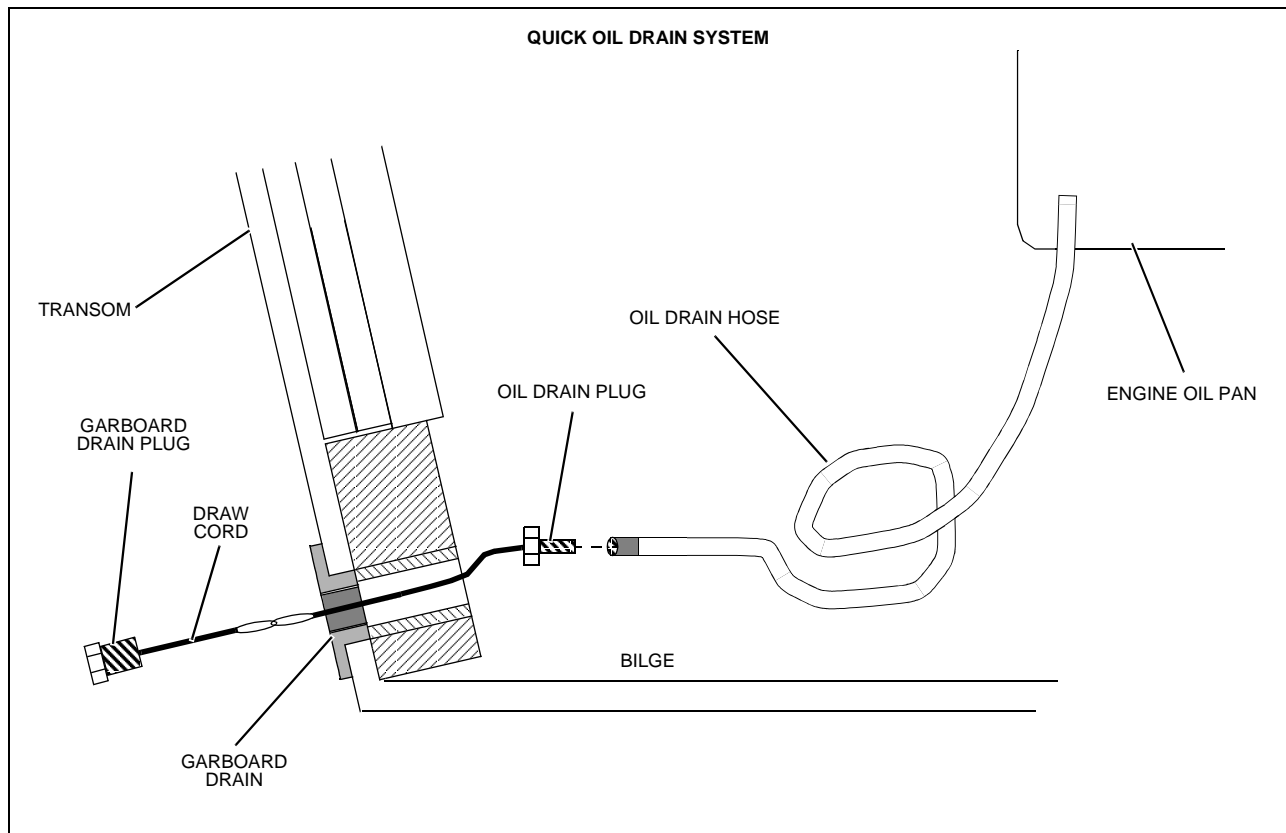
Anti-siphon Valve

NOTICE

- If an engine running problem is diagnosed as fuel starvation, check the anti-siphon valve. If the valve is stuck or clogged, change or replace it while the engine is shut down.
- **NEVER** run the engine with the anti-siphon valve removed, except in an emergency.

- Your boat is equipped with an anti-siphon valve, which is an integral part of fuel system.
- The valve is located at the point where the fuel feed line attaches to the fuel tank.
- The valve is spring loaded and is opened by fuel pump vacuum.
- This valve will prevent fuel from siphoning from the tank in the event of a fuel line rupture.

Quick Oil Drain System



To drain the engine oil:

1. Remove the boat from the water.
2. Unscrew the garboard drain plug.
3. Pull the draw cord until the oil drain plug and the oil drain hose slide out of the garboard drain.
4. Place the end of the oil drain hose into a suitable container.
5. Unscrew the oil drain plug and drain the engine oil.
6. Replace the oil drain plug.
7. Push the drain hose back into the bilge.
8. Replace the garboard drain plug.

Always dispose of waste oil in accordance with local regulations.

Chapter 5: Controls

Steering

- Refer to the engine manual for steering system details.

Shift/Throttle Lever

 WARNING!
<i>LOSS OF CONTROL HAZARD!</i> Improper maintenance of shift/throttle hardware may cause a sudden loss of control!

- Carefully read and understand all of the information about the shift/throttle in the *Sport Boat Owner's Manual*.
- Also, read and understand the shifter/throttle and engine manuals.

Power Trim and Tilt

- The stern drive on your boat is equipped with power trim and tilt.
- Trim and tilt instructions are provided in the engine operation manual and the shifter/throttle manual.

Chapter 6: Plumbing

Drain Systems

Deck Drains

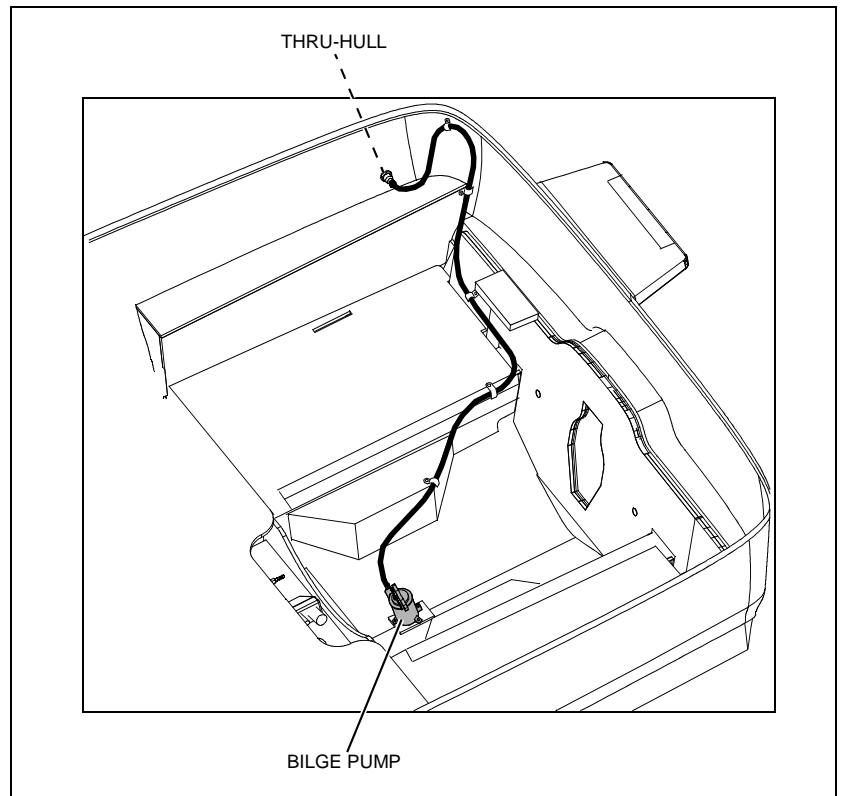
- Water on the deck is drained overboard through the deck drains.
- Keep the deck drains free of debris.

Bilge Pump

NOTICE

Discharge of oil, oil waste or fuel into navigable waters is prohibited by law. Violators are subject to legal action by the local authorities.

- Your boat is equipped with a bilge pump for pumping water out of the bilge.
- The bilge pump is controlled by a switch at the helm.



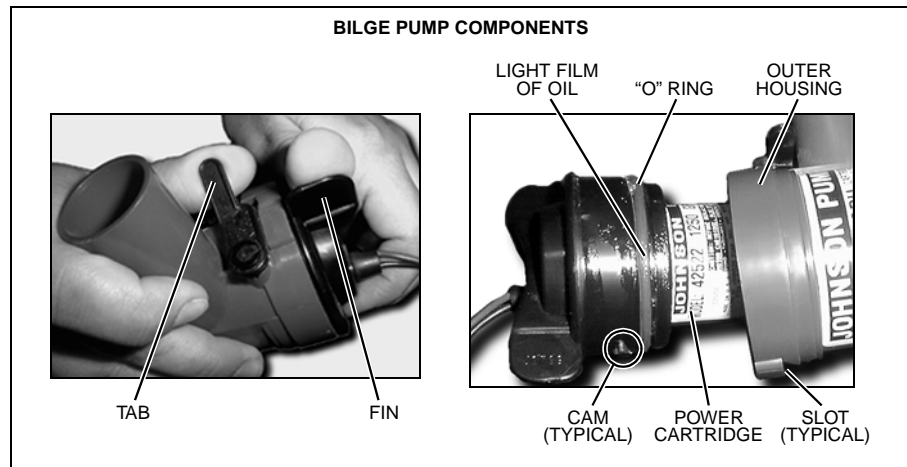
Bilge Pump Testing

- The bilge pump is critical to the safety of your boat.
- Check the bilge pump often to make sure it is working.

Test the pump as follows:

1. Turn on the bilge pump switch at the helm.
2. Any water in the bilge should pump overboard.
 - If the pump motor is running, but not pumping, inspect the discharge hose for a kink or collapsed area.
 - If no problems are found, check the bilge pump housing for clogging debris as follows:

1. Remove the power cartridge:
 - a. Lift the tab while rotating the fins counter-clockwise.
 - b. Lift out the power cartridge.
 - c. Clear the outer housing of debris.
2. Reinstall the power cartridge:
 - a. Make sure the "O" ring is properly seated.
 - b. Coat the "O" ring with a light film of vegetable or mineral oil.
 - c. Align the cams on either side of the power cartridge with the two slots on the outer housing



- d. Press the power cartridge into the housing while twisting clockwise
3. Check the reinstallation by trying to twist the fins counter-clockwise without lifting the tab; the cartridge should stay in place.

Seawater System (If Equipped)

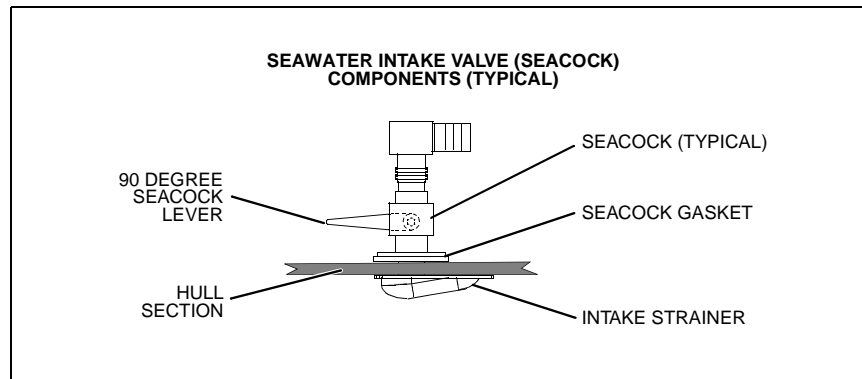
Seacock



CAUTION!

SYSTEM DAMAGE HAZARD!

- Before using a seawater intake system, make sure that the system's seacock is in the **OPEN** position before the system is started and keep the seacock open until the system is shut off.
- Close the seacock whenever the system will not be used for long periods of time.



A seacock is a valve, controlled by a 90° lever, used to manage the intake of seawater through the hull and below the water line. The seawater intake system used on your boat is for the Live Well system (if equipped)

Before using this system, make sure that the system's seacock is *open* and remains *open* until the system is shut off.

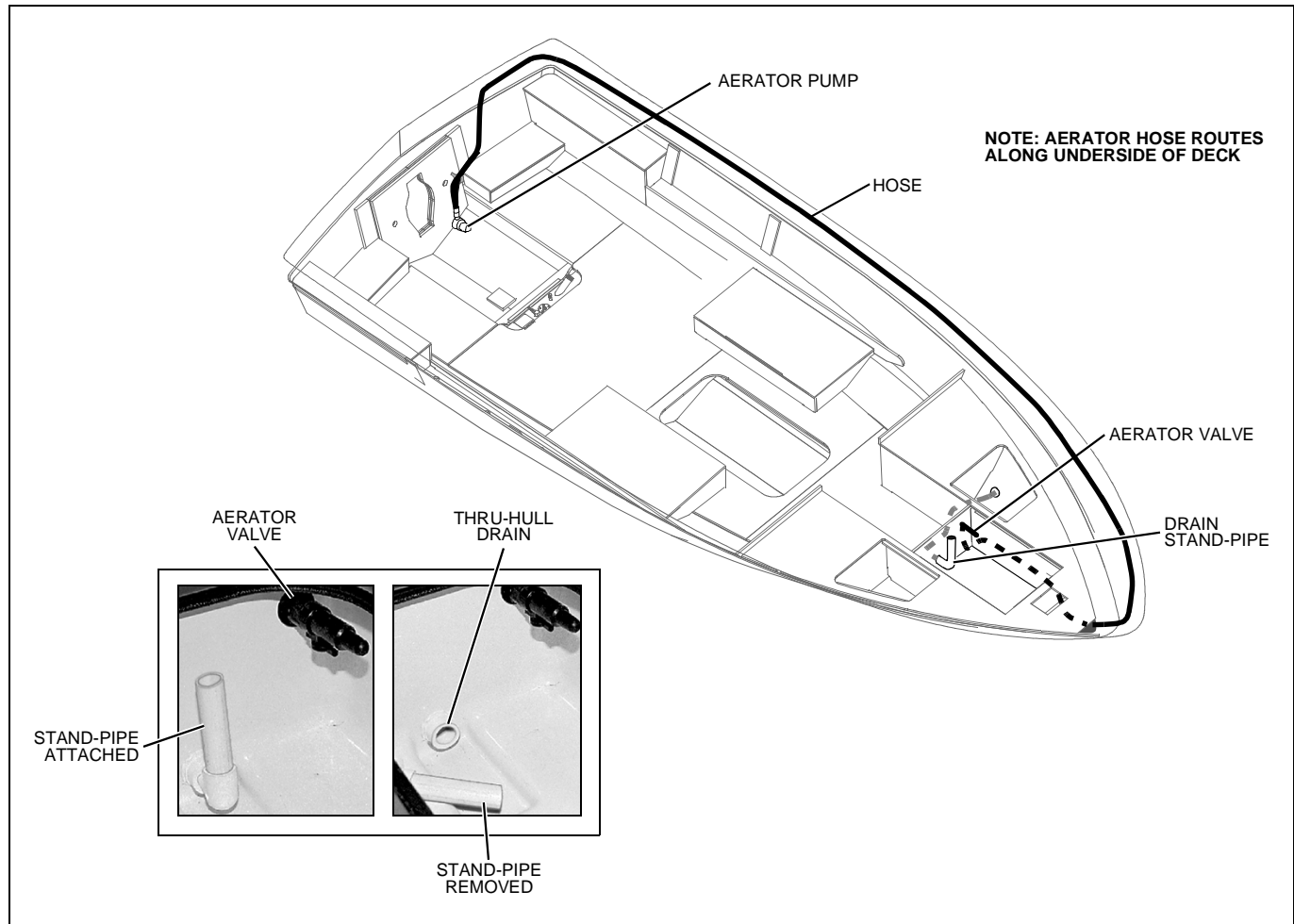
Portable Toilet (If Equipped)

Your boat may feature a portable toilet. Read and follow the manufacturer's operating instructions before using your portable toilet.

Livewell/Baitwell System (1954 Only)

NOTICE

The livewell/baitwell pump should be shut off while underway at planing speeds.



- The switch for the livewell/baitwell is located on the main dash panel.
- This switch turns on the aerator that pumps a continuous supply of fresh water into the livewell/baitwell.
- The overflow is automatically drained overboard.
- Check the livewell/baitwell system often to make sure that it is pumping adequate amounts of water.
- If there appears to be a problem, check the system for weeds or other debris.
- Completely drain the livewell/baitwell by removing the drain stand-pipe.

Chapter 7: Deck Equipment

Cleats and Tow Eyes

⚠ WARNING!

PERSONAL INJURY and /or PRODUCT or PROPERTY DAMAGE HAZARD!

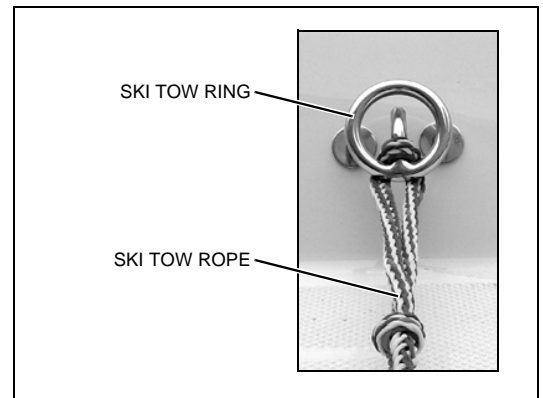
- **NEVER** lift the boat using the bow and stern eyes or the cleats.

Carefully read the section on towing in the *Sport Boat Owner's Manual* before:

- Towing anything behind the boat.
- Being towed by another vessel.

Ski Tow Ring

- Your boat may feature a ski tow ring.
- Attach tow rope as shown in the photo.



Pre-rigging For Trolling Motor (1954 Only)

- The 1954 features a trolling motor connection at the bow and a reinforced deck area designed to support a trolling motor mounting bracket.
- Contact your selling dealer for a list of compatible equipment and installation instructions.
- The trolling motor system can be used safely with either a 12V or a 24V motor.

Canvas (If Equipped)



CAUTION!

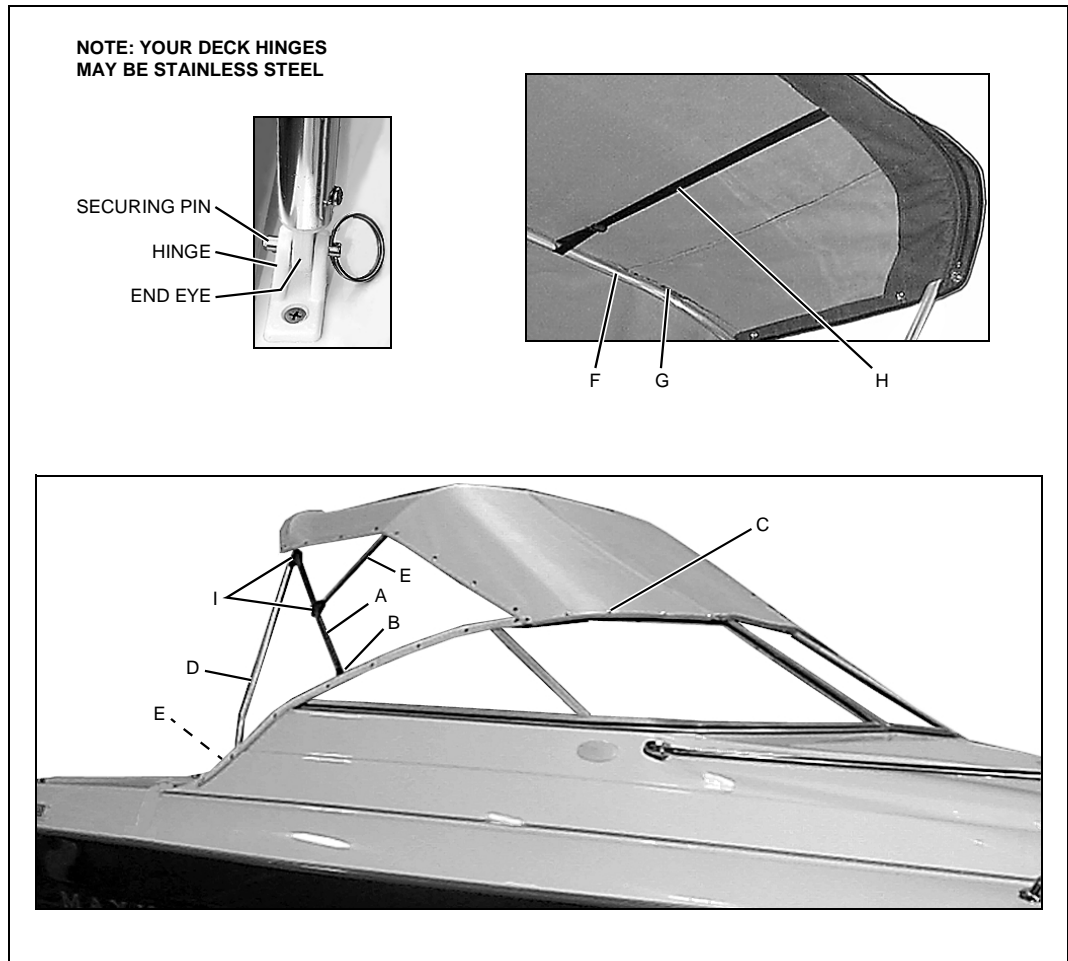
PRODUCT or PROPERTY DAMAGE HAZARD!

- Canvas tops are not designed to withstand speeds over 45 MPH.
- Take down and securely stow the canvas top before transporting your boat by road.

1950 & 1952 Canvas Top (If Equipped)

Installing the Canvas

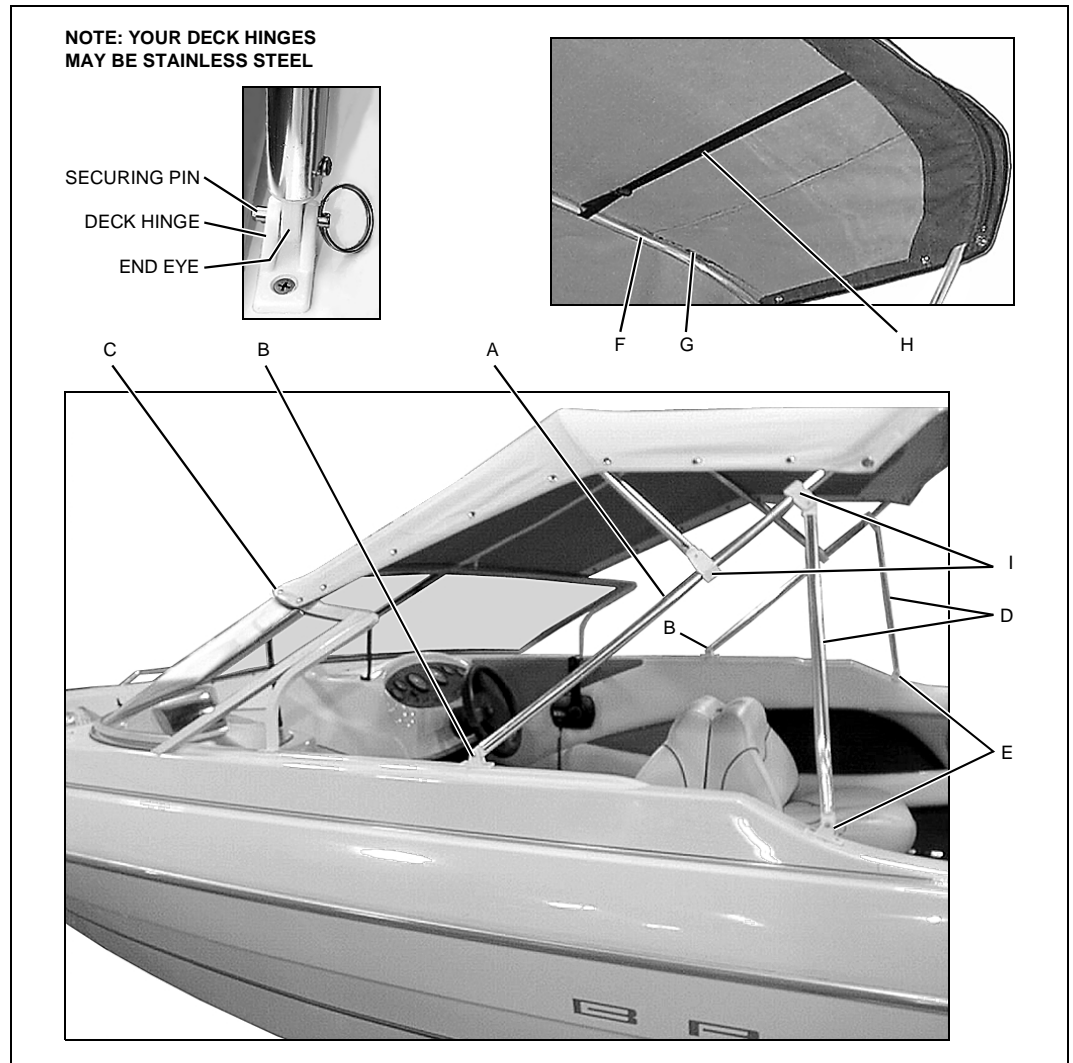
1. Insert the end eyes of the main bow (A) into the forward hinges (B) and secure with the pins.
 2. Unfold the canvas top and snap the front edge of the top (C) to the top of the windshield frame.
 3. Insert the end eyes of the aft braces (D) into the aft hinges (E) and secure with the pins.
 4. Align the secondary bow (F) with the center seam (G) of the canvas by loosening or tightening the top straps (H).
- Since the jawslides (I) were preset during manufacturing they should not need to be adjusted.
 - However, if you think the jawslides need to be adjusted, obtain the correct measurements from your selling dealer.

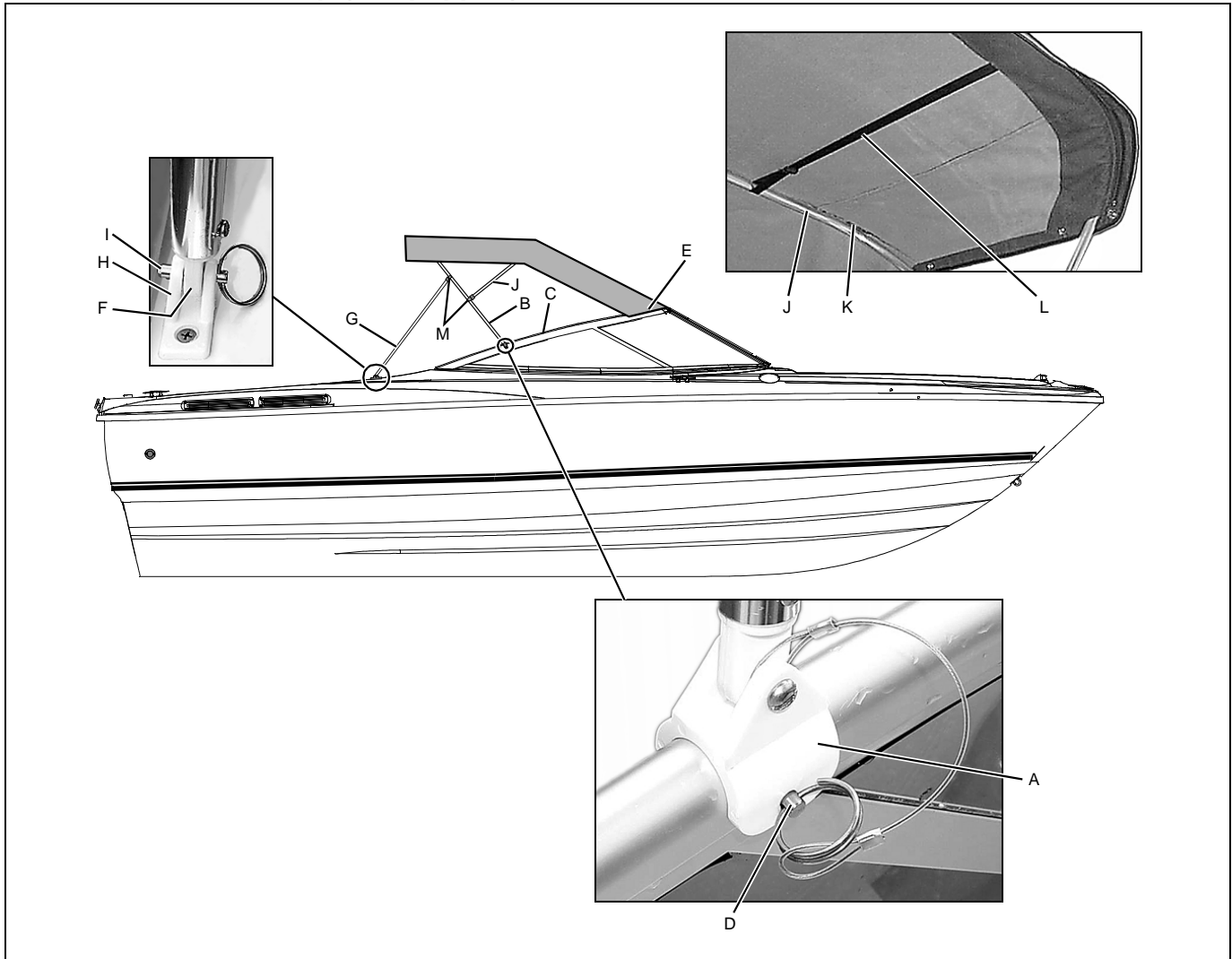


1954 Canvas Top (If Equipped)

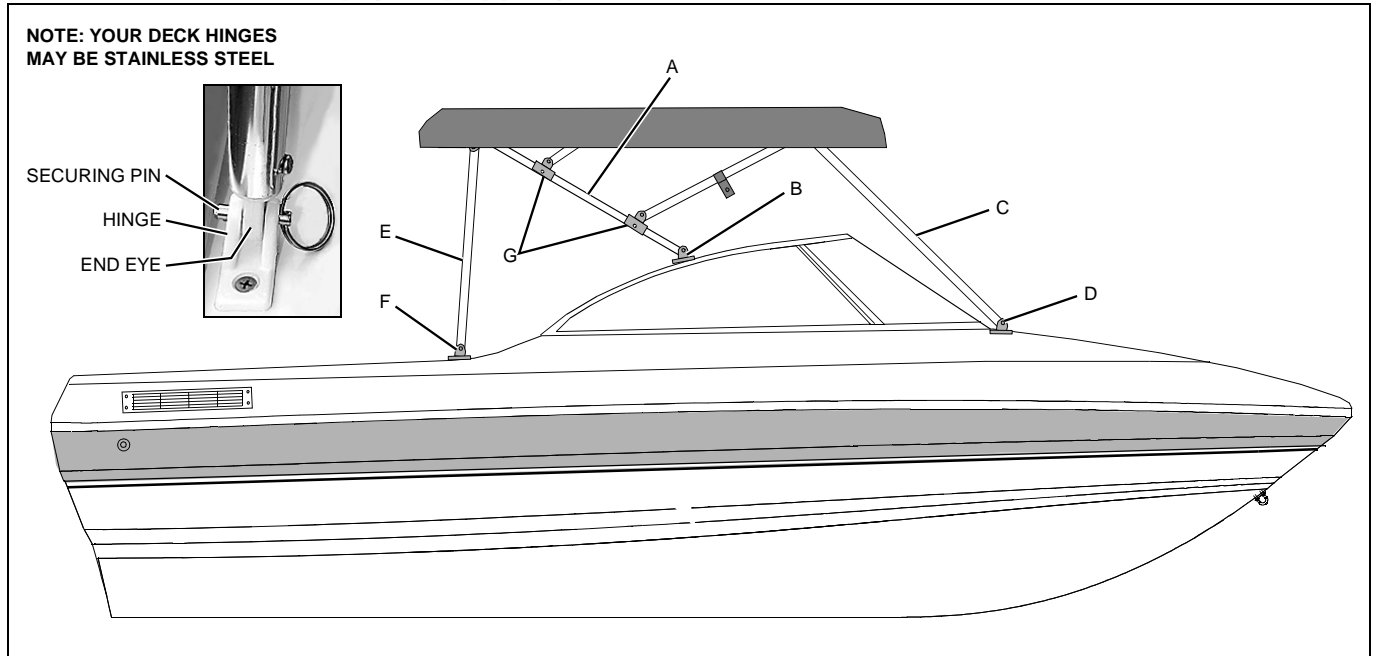
Installing the Canvas

1. Insert the end eyes of the main bow (A) into the forward deck hinges (B) and secure with the pins.
 2. Unfold the canvas top and snap the front edge of the top (C) to the top of the windshield frame.
 3. Insert the end eyes of the aft braces (D) into the aft deck hinges (E) and secure with the pins.
 4. Align the secondary bow (F) with the center seam (G) of the canvas by loosening or tightening the top straps (H).
- Since the jawslides (I) were preset during manufacturing they should not need to be adjusted.
 - However, if you think the jawslides need to be adjusted, obtain the correct measurements from your selling dealer.

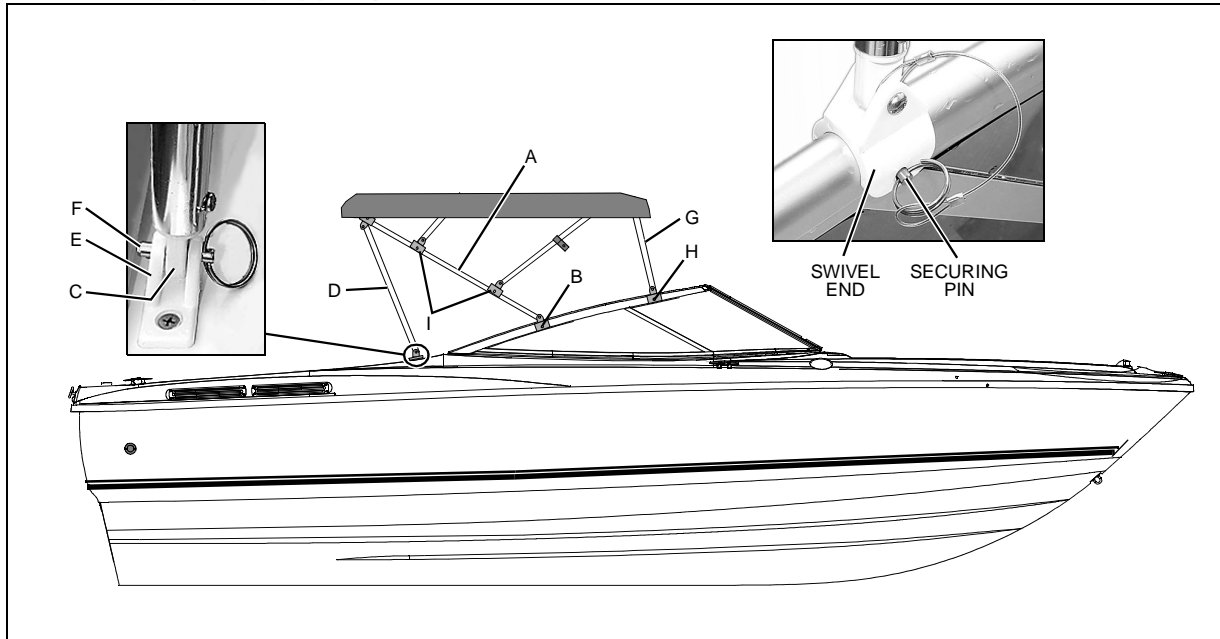


2150 & 2152 Canvas Top (If Equipped)***Installing the Canvas***

1. Slide the swivel ends (A) of the main bow (B) over the side windshield frames (C) and insert the pins (D).
2. Unfold the canvas top and snap the front edge of the top (E) to the windshield frame.
3. Insert the end eyes (F) of the aft braces (G) into the deck hinges (H) and insert the pins (I).
4. Align the secondary bow (J) with the center seam (K) of the canvas by loosening or tightening the top straps (L).
 - Since the jawslides (I) were preset during manufacturing they should not need to be adjusted.
 - However, if you think the jawslides need to be adjusted, obtain the correct measurements from your selling dealer.

1950 & 1954 Bimini Top (If Equipped)***Installing the Bimini Top***

1. Insert the end eyes of the main bow (A) into the mid hinges (B) and secure with the pins.
2. Unfold the canvas and insert the end eyes of the forward braces (C) into the forward hinges (D) and secure with the pins.
3. Insert the end eyes of the aft braces (E) into the aft hinges (F) and insert the pins.
 - Since the jawslides (G) were preset during manufacturing they should not need to be adjusted.
 - However, if you think the jawslides need to be adjusted, obtain the correct measurements from your selling dealer.

2150 Bimini Top (If Equipped)***Installing the Bimini Top***

1. Slide the swivel ends of the main bow (A) over the aft holes (B) in the side windshield frames and secure with the pins.
2. Insert the end eyes (C) of the aft braces (D) into the deck hinges (E) and secure it with the pins (F).
3. Unfold the canvas and slide the swivel ends of the forward braces (G) over the forward holes (H) in the side windshield frames and secure with the pins.
 - Since the jawslides (I) were preset during manufacturing they should not need to be adjusted.
 - However, if you think the jawslides need to be adjusted, obtain the correct measurements from your selling dealer.

Chapter 8: Entertainment Systems

Audio System

NOTICE

AM radio reception may be impaired anytime the engine is running.
--

Read the audio system instructions before using the system.

Chapter 9: Convertible Seats, Beds, & Tables

Sleeper Seats (If Equipped)

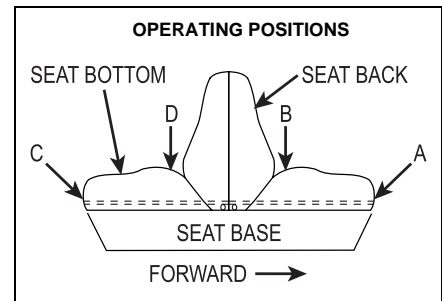
- The sleeper seats can be adjusted fore and aft in the upright, operating position.
- The seat bottoms adjust into backrests when the seats are in the lounge position.

Operating Positions

To slide the seat forward:

1. Lift the forward seat at point (A).
2. Push down on the forward seat at point (B) and pull the seat forward.
3. Lock the forward seat into the desired position by pushing down at point (A).
4. Lift the aft seat at point (C).
5. Push down on the aft seat at point (D) and push the seat forward until the aft seat back is flush against the forward seat back.
6. Lock the aft seat into position by pushing down at point (C).

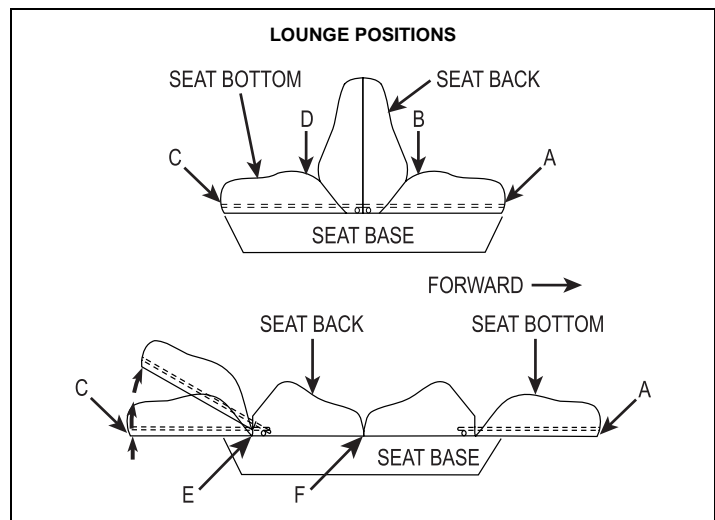
To slide the seat aft, repeat the steps above, but start with the aft seat.



Lounge positions

To adjust into the flat lounge position:

1. Lift the forward seat at point (A).
2. Push down on the forward seat at point (B) and pull the seat forward until the seat back and bottom are flat.
3. Lift the aft seat at point (C).
4. Push down on the aft seat at point (D) and pull the seat aft until the seat back and bottom are flat.



To adjust into the chaise lounge position:


1. Lift up on the forward or aft seat bottom at point (A or C) and push the seat bottom down into the locked position.
2. To lower the seat bottom, lift the seat at point (A or C). Drop the seat bottom flat while holding the seat down at point (E).

To return the seats to the operating position:

1. Lift the seat backs at point (F) and push down on the back edge of the seat bottom (B) and then seat bottom (D).
2. Push the seat bottoms towards the center of the seat until the seat backs are flush against each other and locked into place.

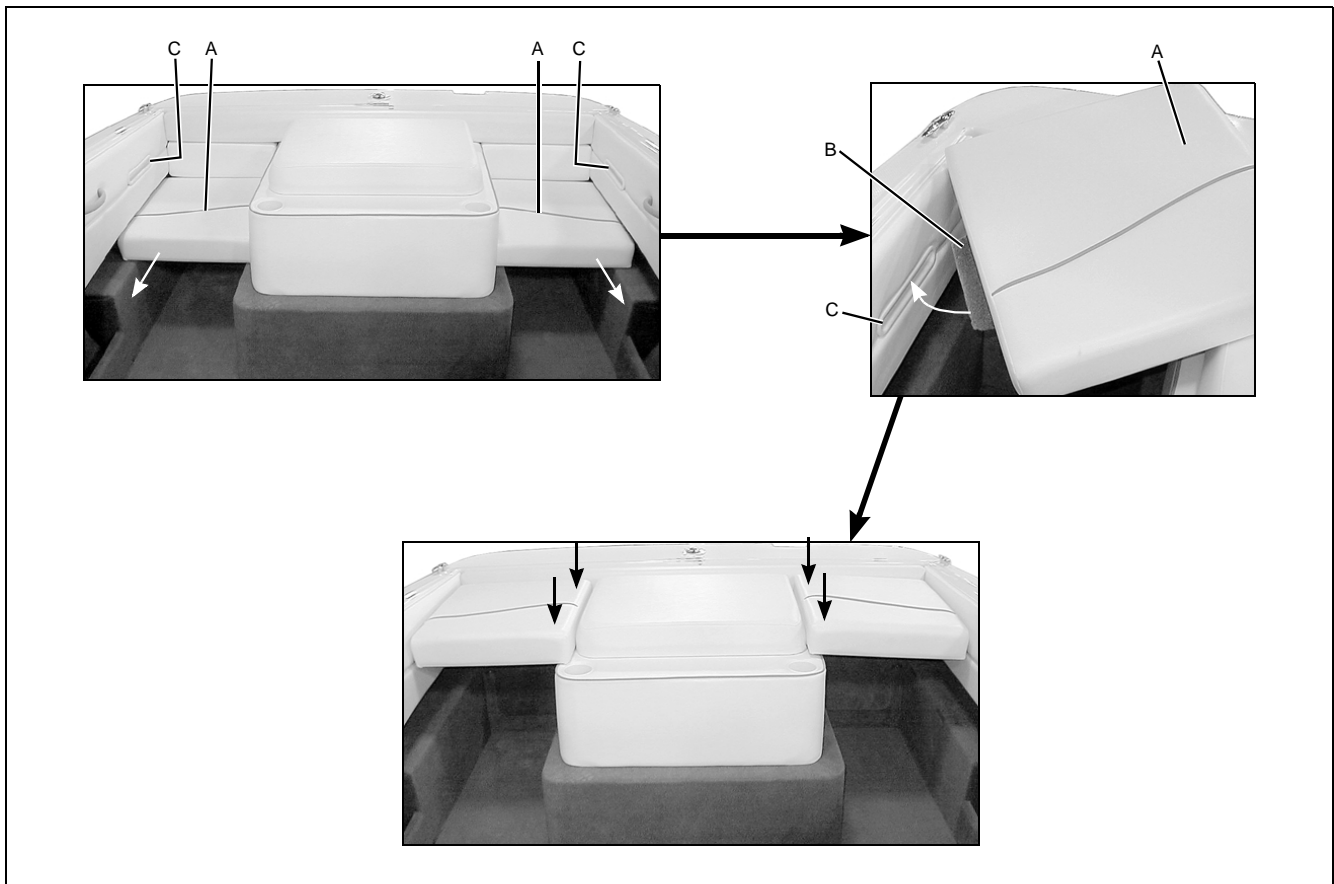
Jump Seat To Sunlounge Conversion

⚠ **DANGER!**



PERSONAL SAFETY HAZARD!


- **DO NOT** allow anyone to ride on the aft sunlounge cushions while underway or when the engine is running.
- **Occupying the aft sunlounge while underway is especially hazardous and WILL cause personal injury or death.**



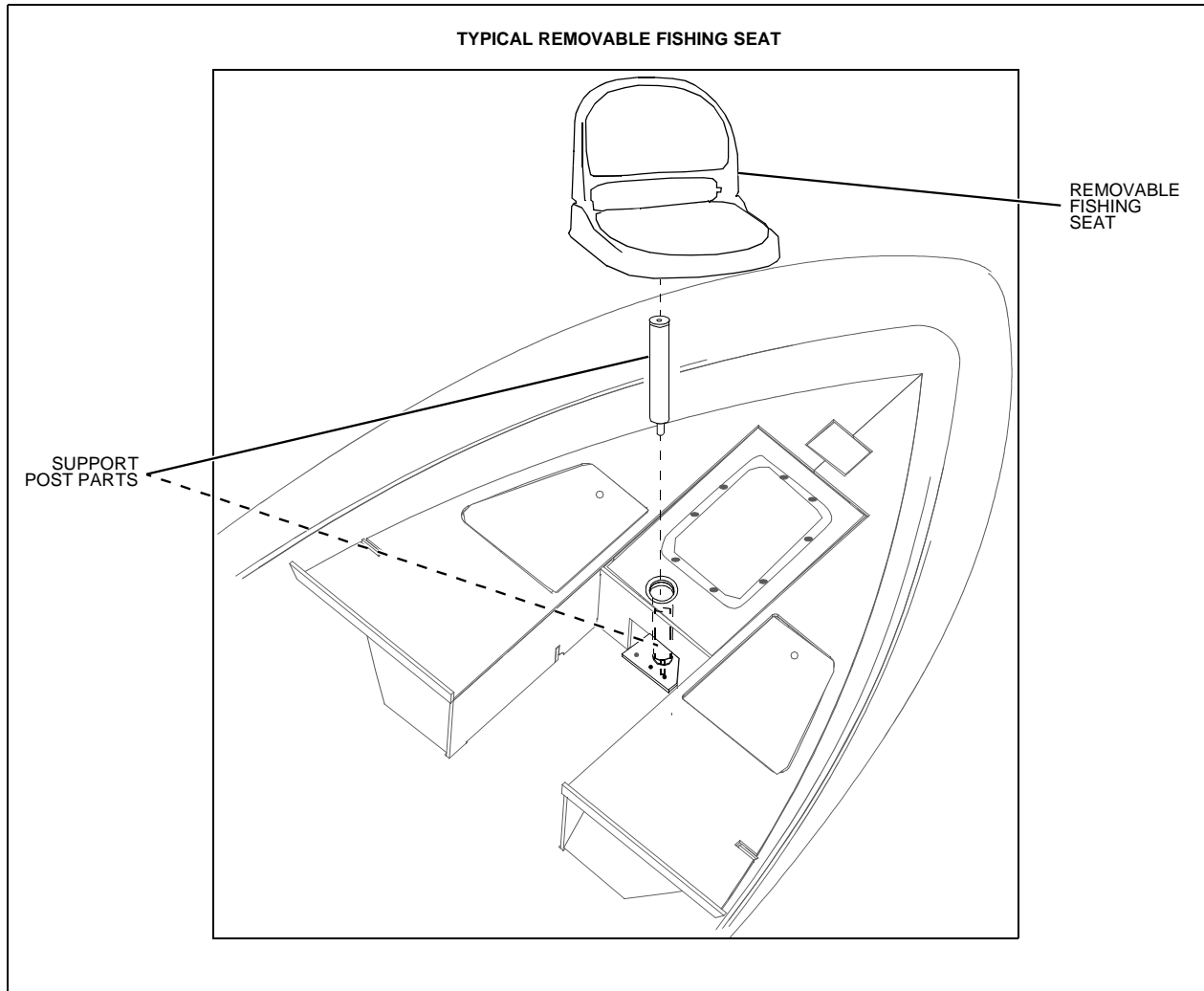
1. Remove the jump seats (A) by sliding them forward.
2. Slide the lounge support inserts (B) into the lounge support slots (C).
3. Press down firmly on the inboard side of each jump seat until they rest firmly on the motorbox ledges.

Removable Fishing Seats (1954 Only)

⚠ DANGER!

 **PERSONAL SAFETY HAZARD!**

- **DO NOT** allow anyone to ride on parts of the boat not designated for such use.
- **Sitting on the fishing seat while underway is especially hazardous and WILL cause personal injury or death.**



All fishing seats should be removed and stowed in a safe and secure area while underway or when trailering your boat.

Chapter 10: Lights

Care and Maintenance

All of the lights installed on your boat are of top quality, but you should be aware that failure may periodically occur for a variety of reasons:

1. There may be a blown fuse - *replace the fuse.*
2. The bulb may be burned out - *carry spare bulbs for replacement.*
3. A wire may be damaged or may have come loose - *repair as required.*
4. The bulb base may be corroded - *clean the base and coat it with non-conductive electrical lubricant.*




Navigation Lights

 CAUTION!
Avoid the storage of gear where it would block navigation lights from view.

Read and understand the navigation light section of *Sport Boat Owner's Manual*.

Chapter 11: Electrical System



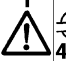


⚠ DANGER!

EXTREME FIRE, SHOCK & EXPLOSION HAZARD!

- To minimize the risks of fire and explosion, **NEVER** install knife switches or other arcing devices in the fuel compartments.
- **NEVER** substitute automotive parts for marine parts. Electrical, ignition and fuel system parts were designed and manufactured to comply with rules and regulations that minimize risks of fire and explosion.
- **DO NOT** modify the electrical systems or relevant drawings.
- Have qualified personnel install batteries and/or perform electrical system maintenance.

⚠ WARNING!

FIRE & EXPLOSION HAZARD!

- Visually and by smell (sniff test), check the engine and fuel compartments for fumes or accumulation of fuel.
- Minimize the danger of fire and explosion by not exposing the batteries to open flame or sparks. **NEVER** smoke anywhere near the batteries.

⚠ CAUTION!



SHOCK & ELECTRICAL SYSTEM DAMAGE HAZARD! NEVER disconnect the battery cables while the engine is running since it can cause damage to your boat's electrical system components.

NOTICE

Electrical connections are prone to corrosion. To reduce corrosion caused electrical problems, keep all electrical connections clean and apply a spray-on protectant that is designed to protect connections from corrosion.

12-Volt DC System

Battery

The battery supplies electricity for lights, accessories, and engine starting.

The Electrical section of Chapter 8, in the *Sport Boat Owner's Manual*, provides battery, care and maintenance instructions.

Fuses and Circuit Breakers

- Fuses for the engine and main accessory power are on the fuse block behind the dash.
- Some equipment may have secondary fuse protection at the unit, or at the battery.
- Electronics power is provided at the helm station.

Alternator

The engine alternator will keep the battery properly charged when running at cruising speeds.

12-Volt Accessory Outlet



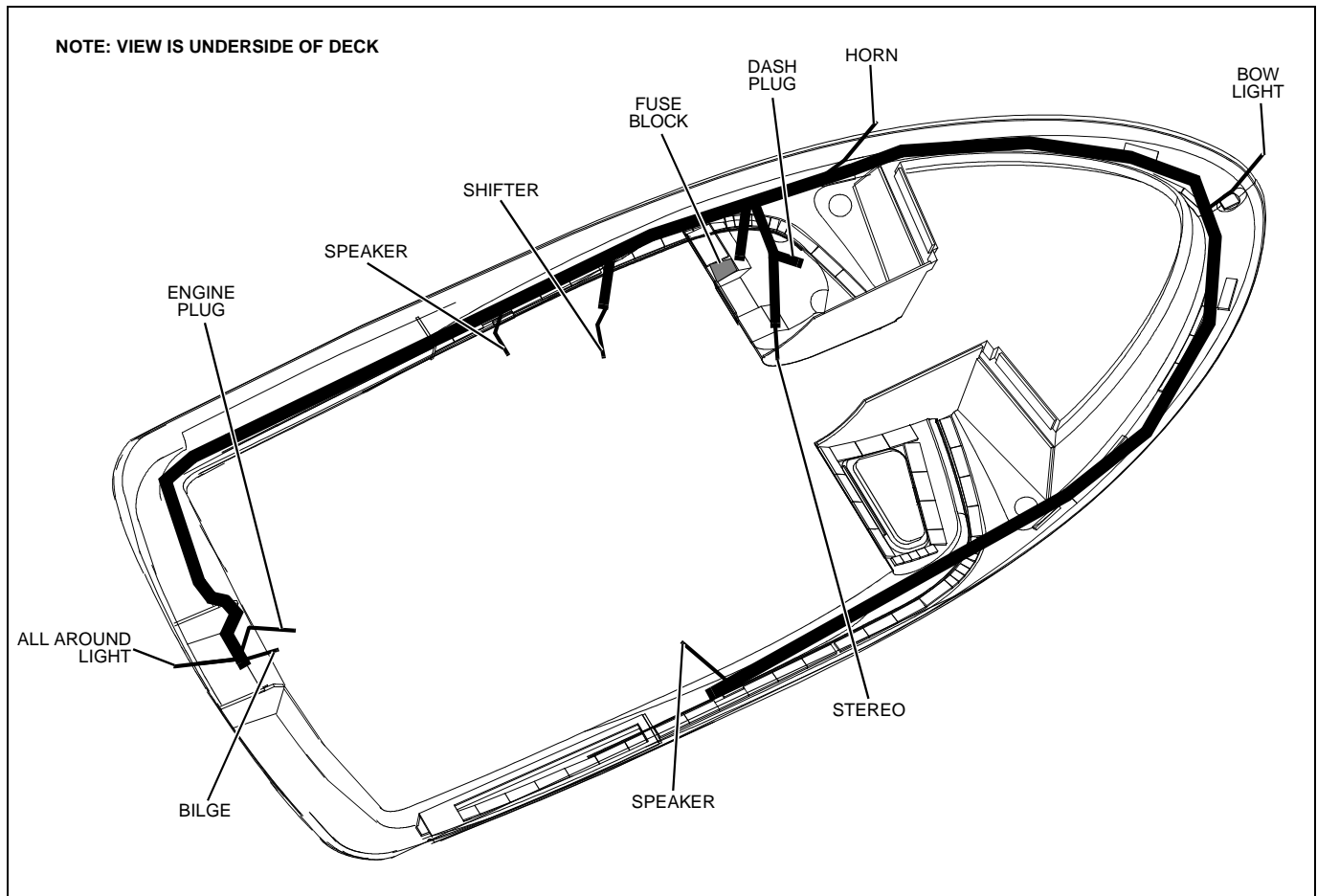
CAUTION!

DO NOT use the 12-volt accessory outlet with a cigarette or cigar lighter. High temperatures may melt the outlet.

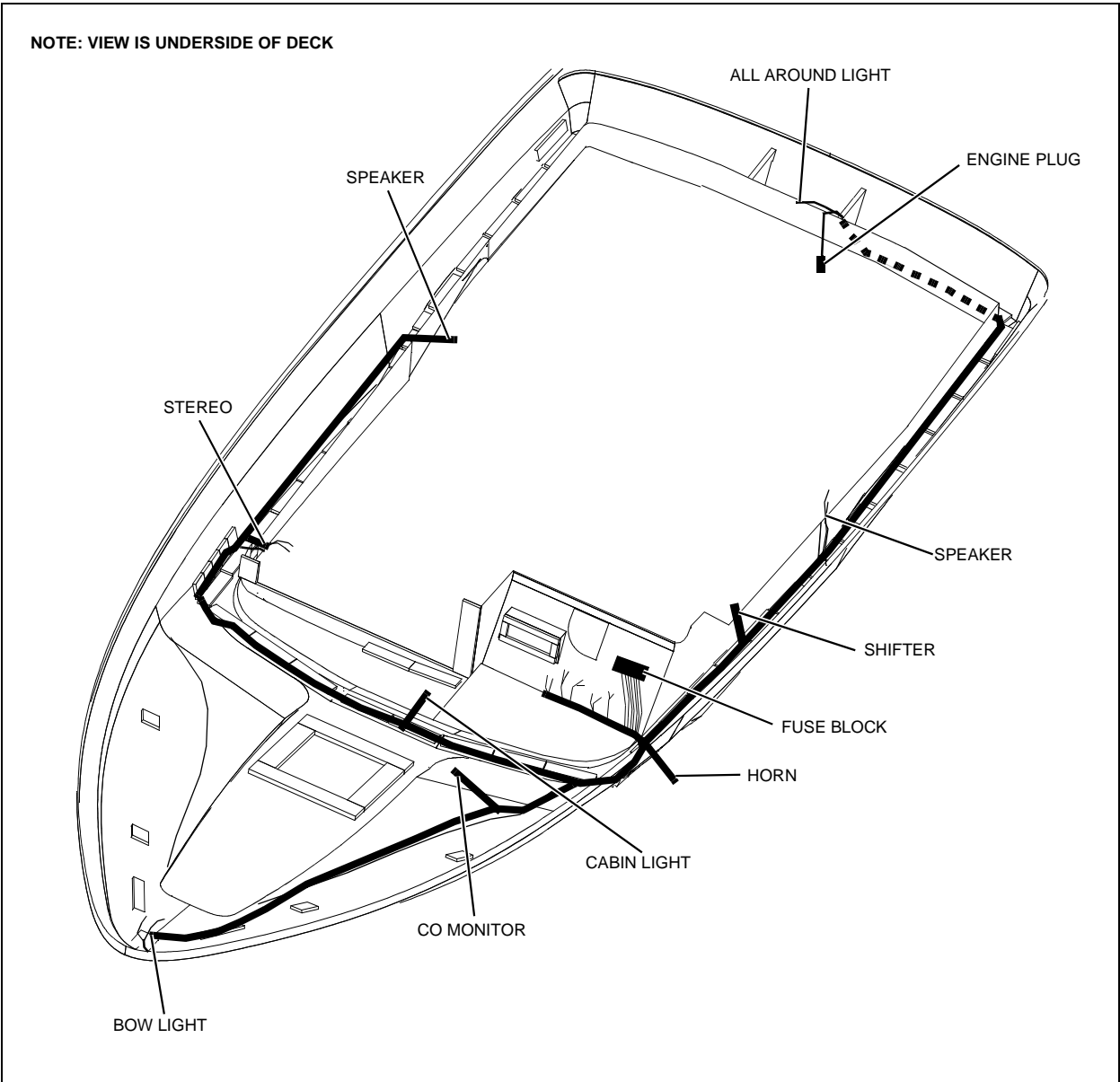
- Your boat is equipped with a 12-volt accessory outlet at the helm.
- The outlet can be used with any 12-volt device which draws 15 amps or less.
- The 12-volt accessory outlet is protected by 10 amp fuse on the main fuse block behind the dash.

Electrical Routings

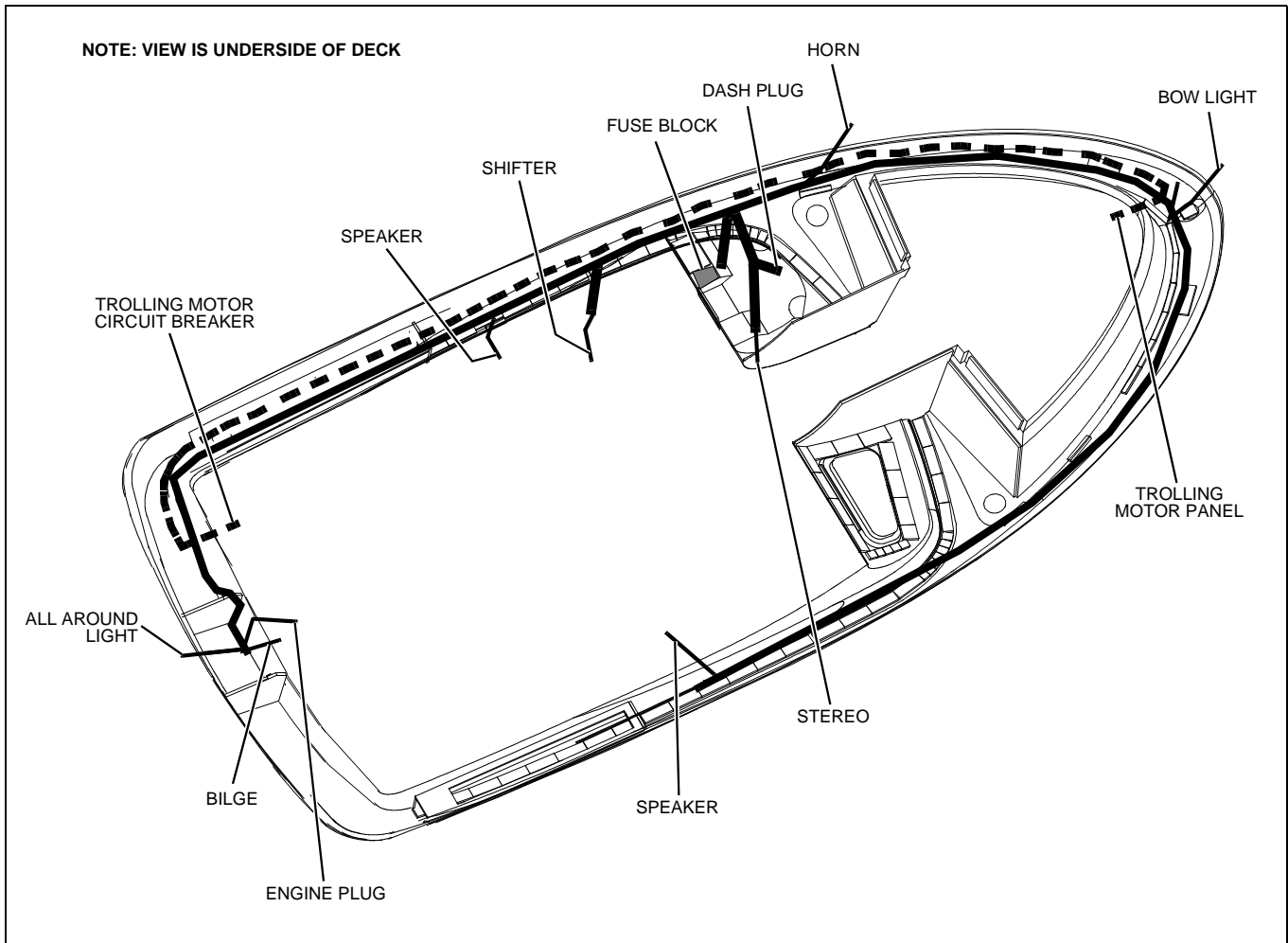
1950 Deck Electrical Harness



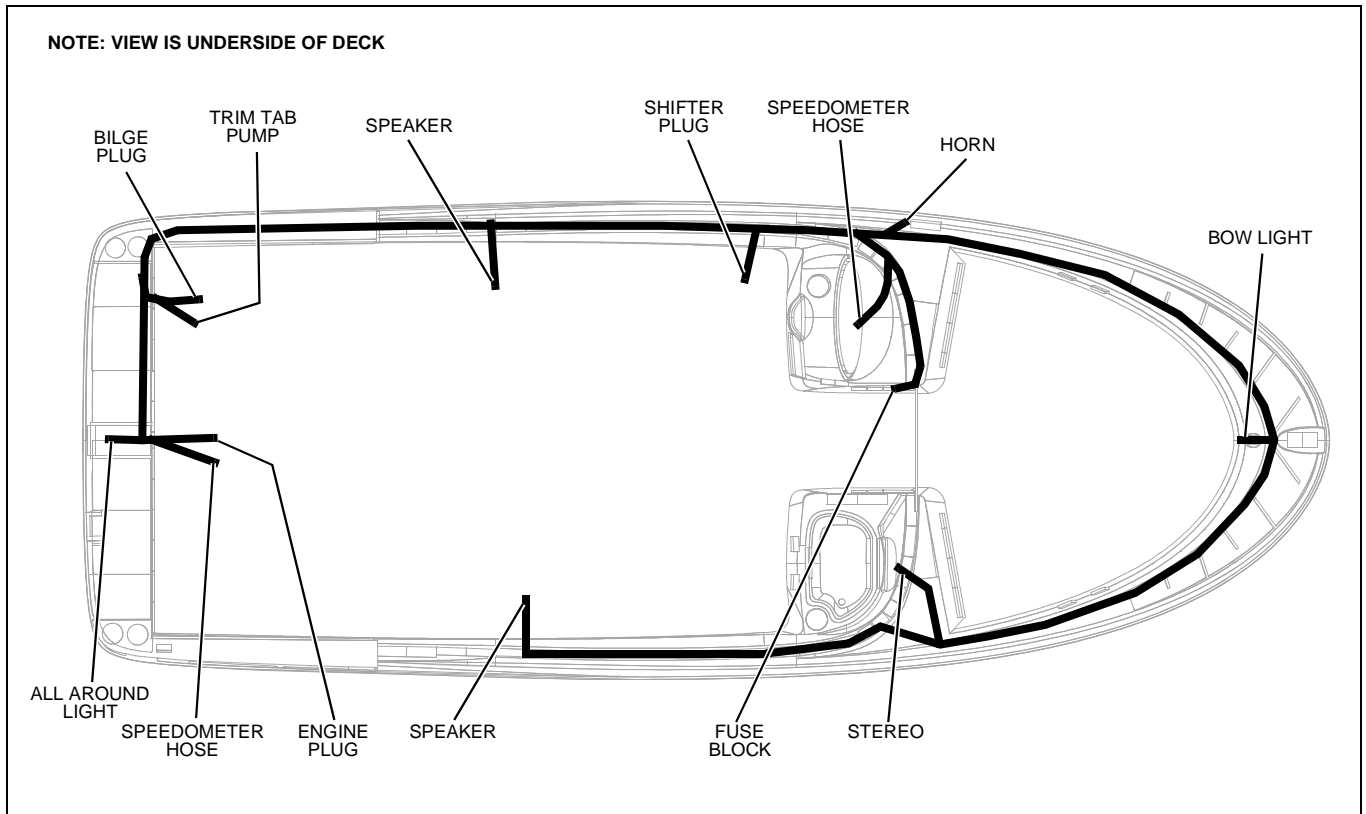
1952 Deck Electrical Harness



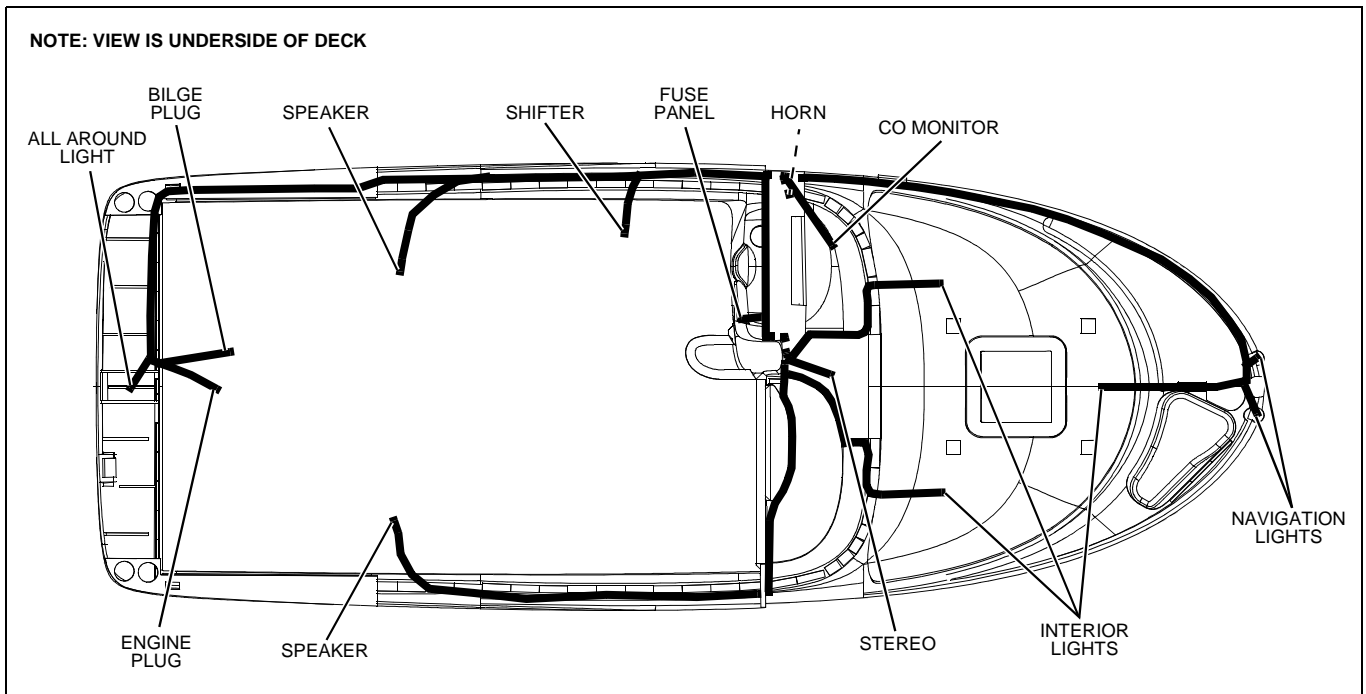
1954 Deck Electrical Harness



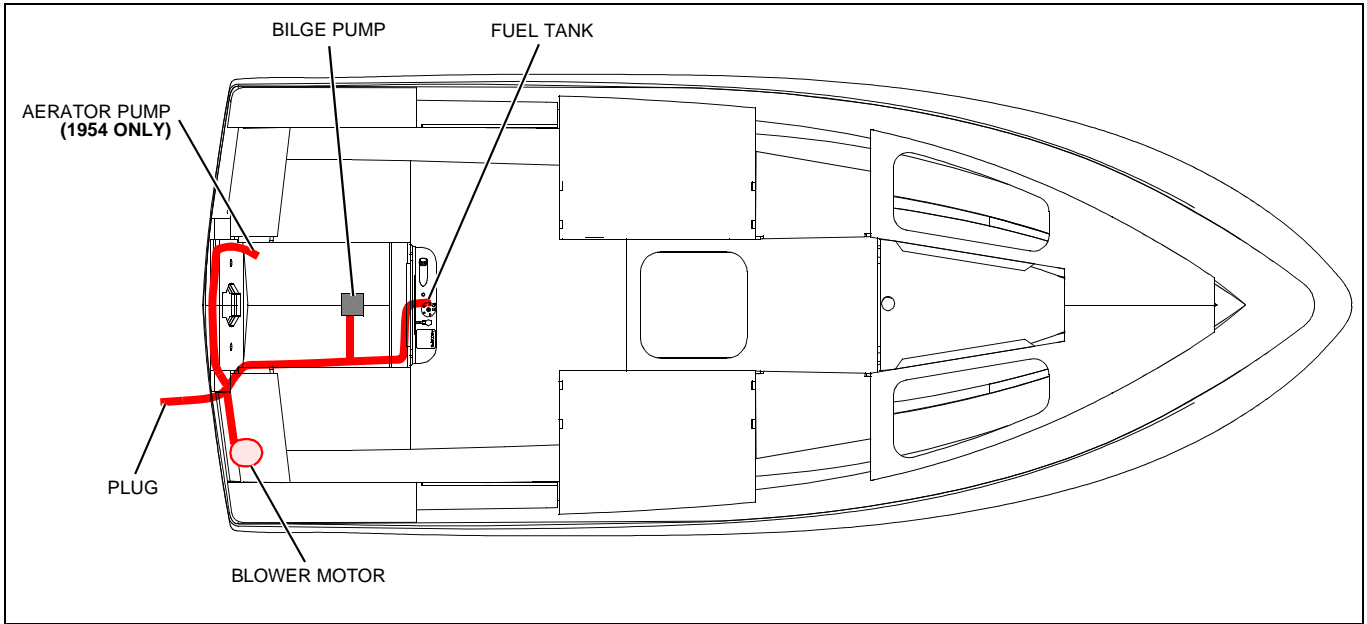
2150 Deck Electrical Harness



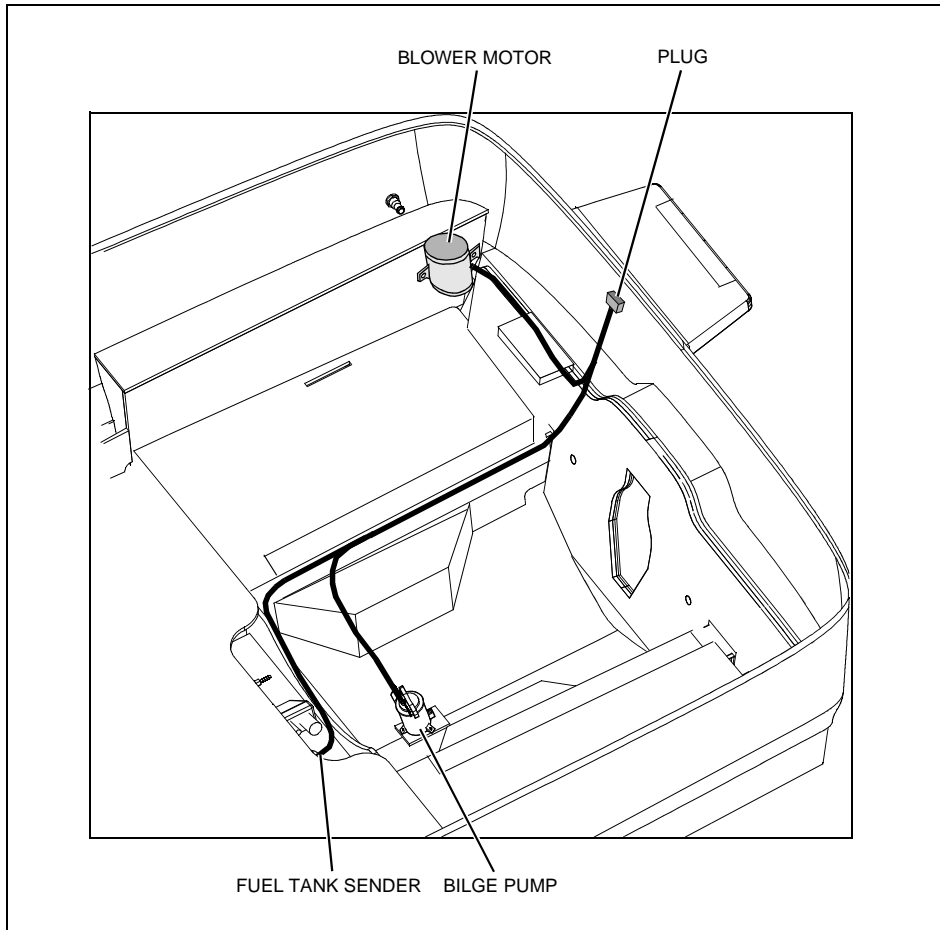
2152 Deck Electrical Harness



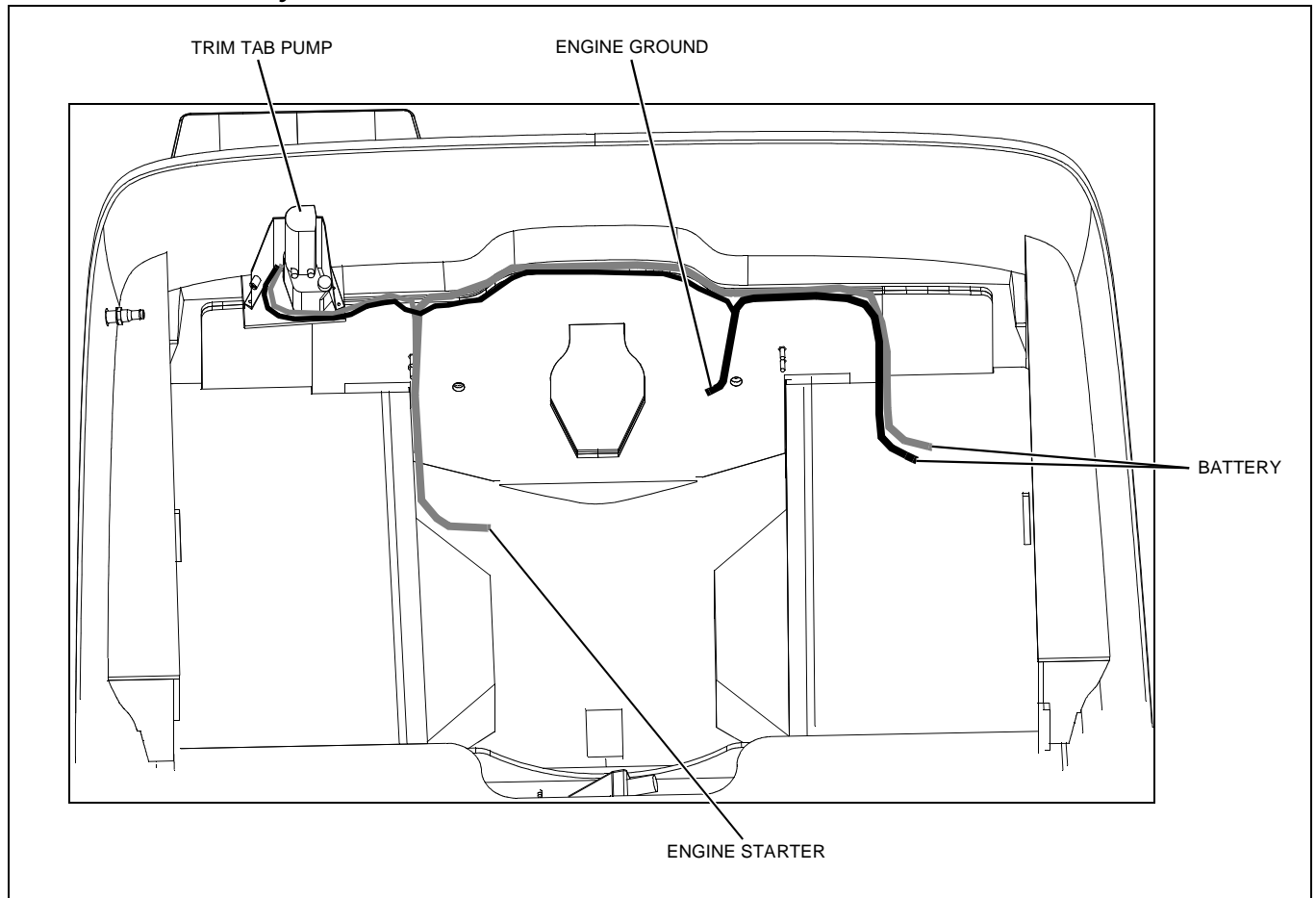
1950, 1952 & 1954 Hull Electrical Harness



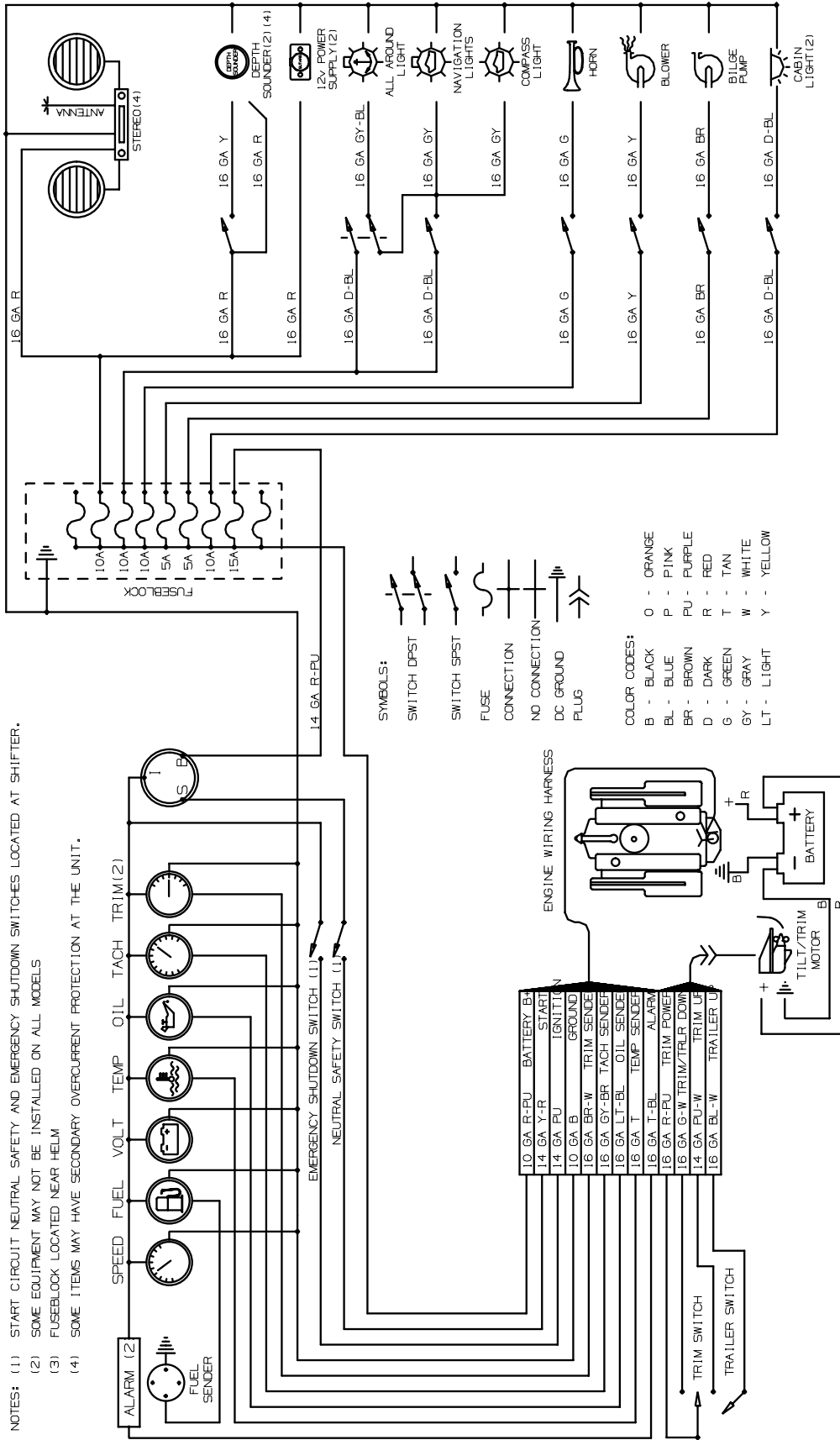
2150 & 2152 Hull Electrical Harness



2150 & 2152 Battery Cable Harness



Wiring Diagram



Part Number 1738584

Bayliner • P.O. Box 9029 • Everett, WA 98206 • 360-435-5571